

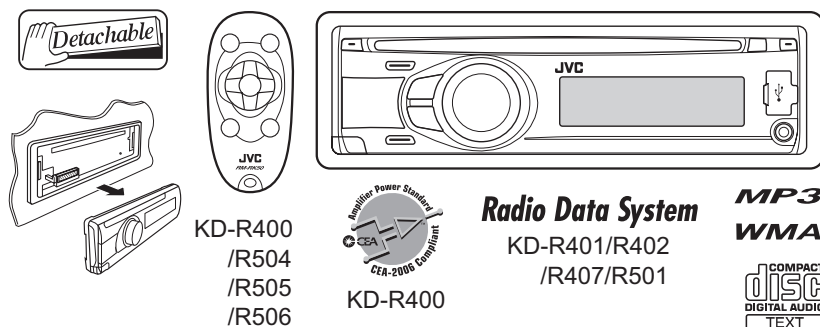
JVC

SCHEMATIC DIAGRAMS

CD RECEIVER

**KD-R400J, KD-R401E, KD-R401EX
KD-R401EY, KD-R401EU, KD-R402EY
KD-R407EE, KD-R501E, KD-R501EX
KD-R501EY, KD-R501EU, KD-R504UI
KD-R505U, KD-R505UN, KD-R505UT
KD-R505UH, KD-R506U, KD-R506UN
KD-R506UT, KD-R506UH, KD-R508UF**

DVD-ROM No.SML2008Q3



KD-R400
/R504
/R505
/R506

Amplifier Power Standards
CEA-2006 Compliant
KD-R400

Radio Data System
KD-R401/R402
/R407/R501

**MP3
WMA**
COMPACT
disc
DIGITAL AUDIO
TEXT

Lead free solder used in the board (material : Sn-Ag-Cu, melting point : 219 Centigrade)
Lead free solder used in the board (material : Sn-Cu, melting point : 230 Centigrade)

Contents

Block diagram	2-1
Standard schematic diagrams	2-3
Printed circuit boards	2-13 to 16

Safety precaution



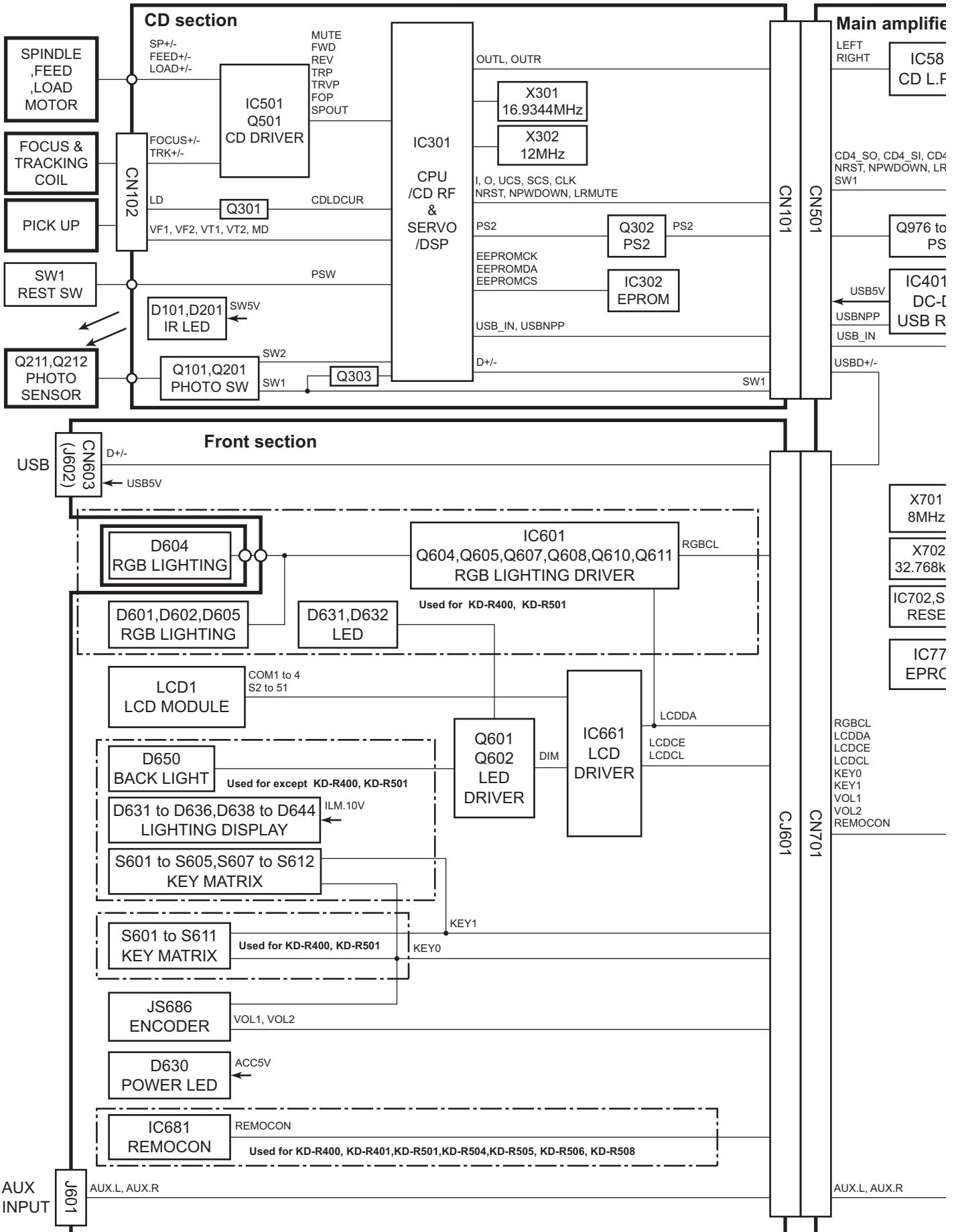
CAUTION Burrs formed during molding may be left over on some parts of the chassis. Therefore, pay attention to such burrs in the case of performing repair of this system.



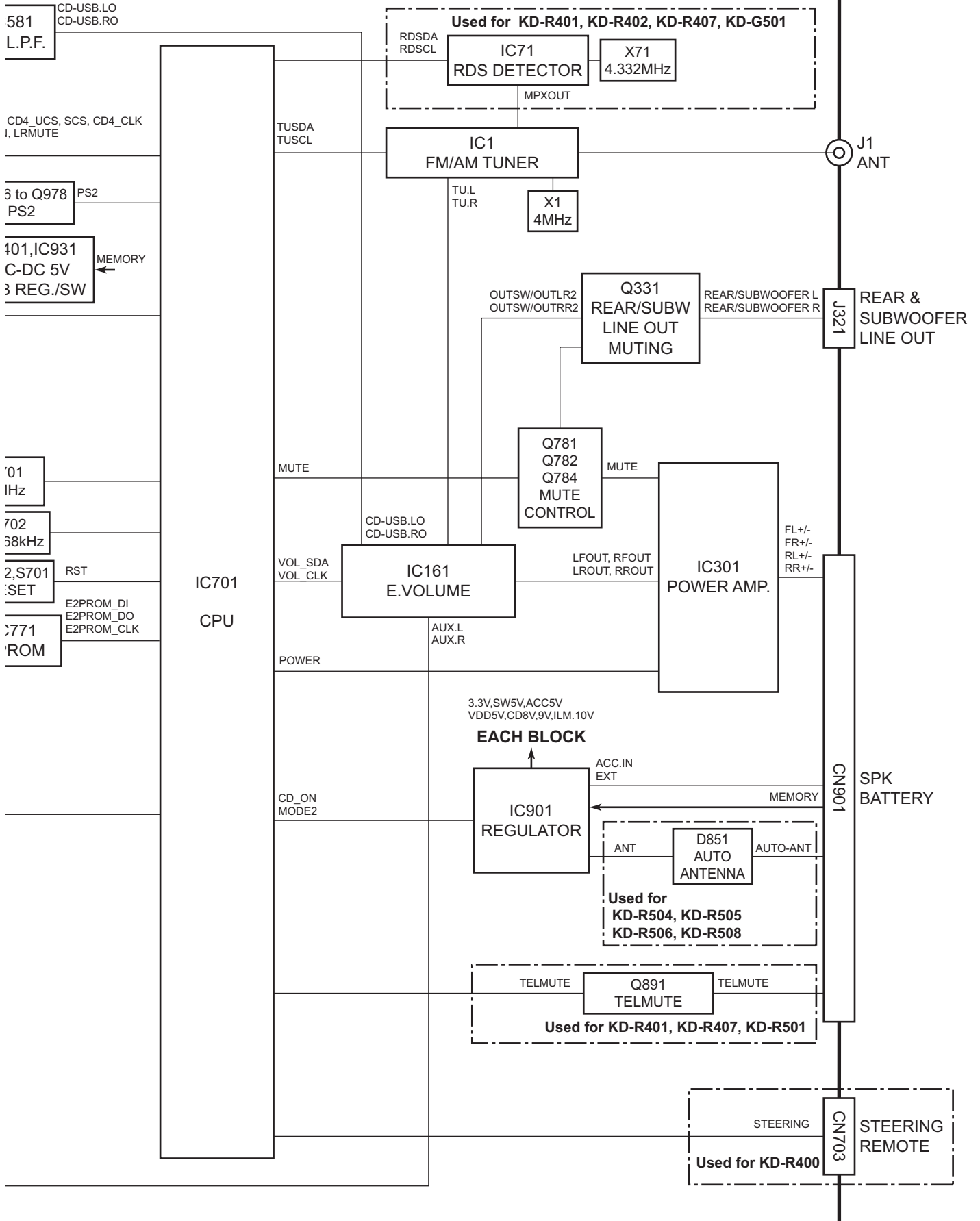
CAUTION Please use enough caution not to see the beam directly or touch it in case of an adjustment or operation check.

< MEMO >

Block diagram

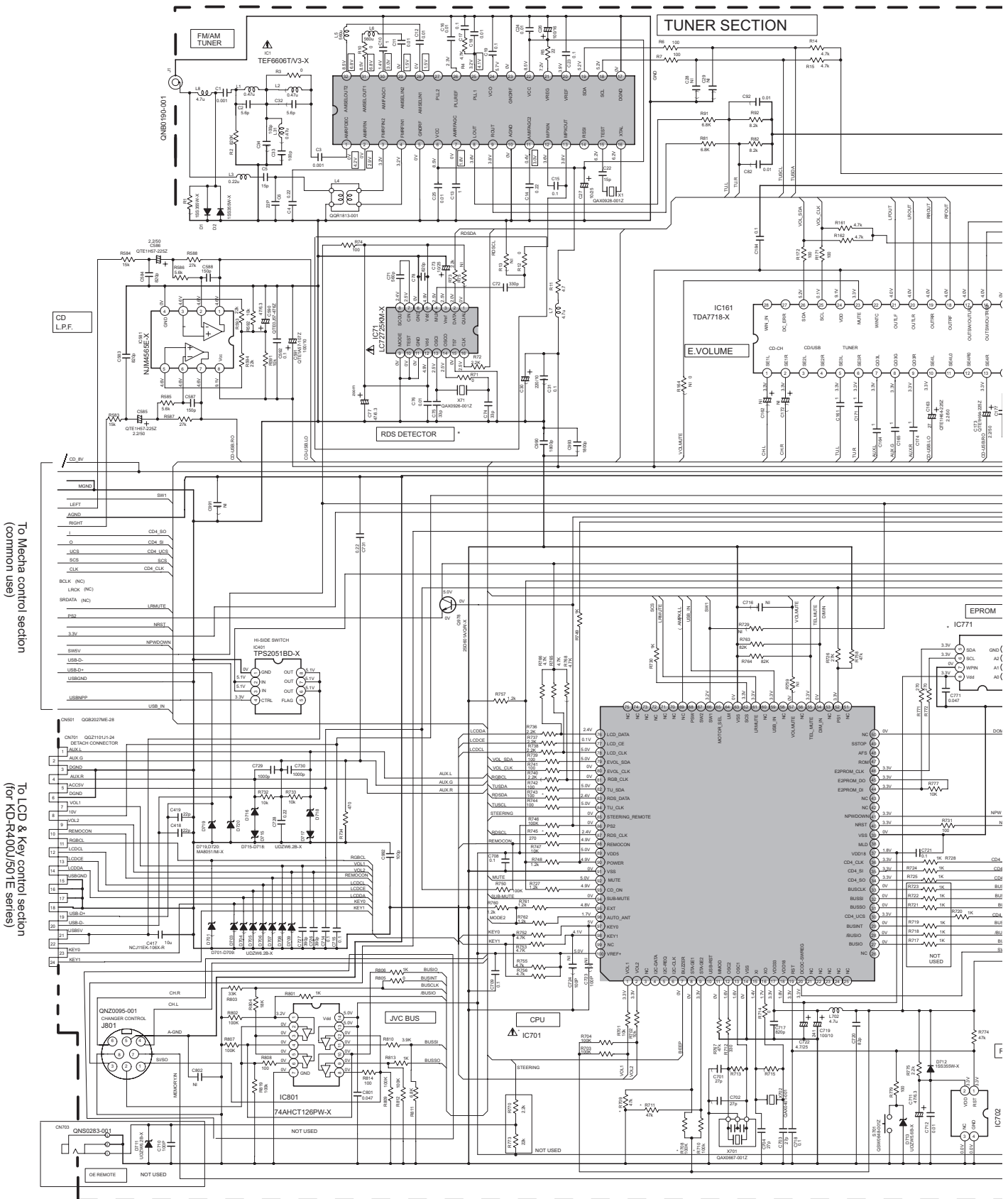


Amplifier & System control section

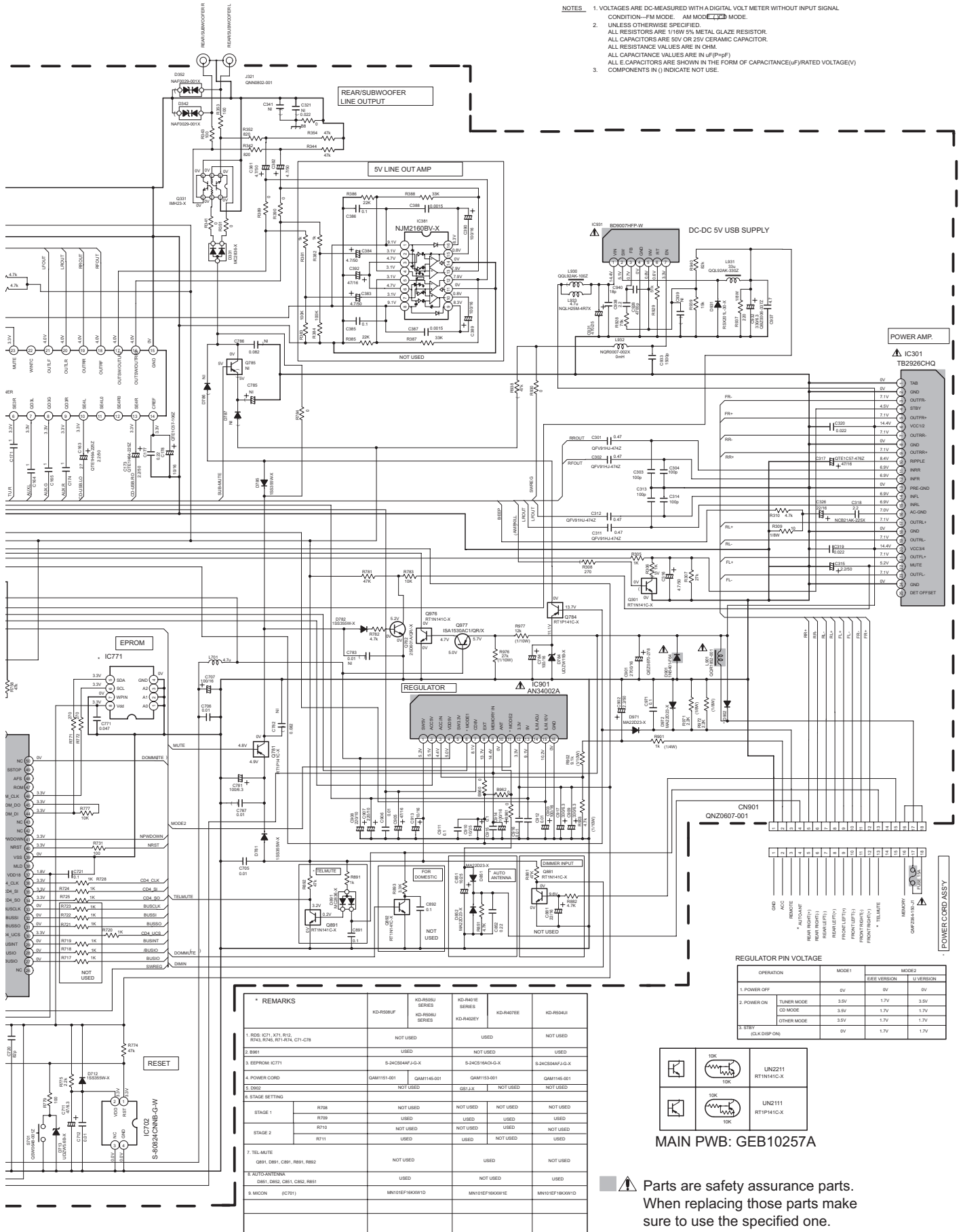


Standard schematic diagrams

■ Main section (for KD-R400J/501E series)



- NOTES
1. VOLTAGES ARE DC-MEASURED WITH A DIGITAL VOLT METER WITHOUT INPUT SIGNAL CONDITION—FM MODE, AM MODE MODE.
 2. UNLESS OTHERWISE SPECIFIED ALL RESISTORS ARE 1/16W 5% METAL GLAZE RESISTOR. ALL CAPACITORS ARE 50V OR 25V CERAMIC CAPACITOR. ALL RESISTANCE VALUES ARE IN OHM. ALL CAPACITANCE VALUES ARE IN uF(P=pf) ALL E-CAPACITORS ARE SHOWN IN THE FORM OF CAPACITANCE(uF)RATED VOLTAGE(V) COMPONENTS IN () INDICATE NOT USE.
 - 3.

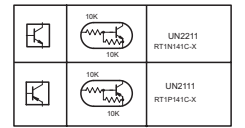


REGULATOR PIN VOLTAGE

OPERATION	MODE1	MODE2	U-VERSION
1. POWER OFF	0V	0V	0V
2. POWER ON	TUNER MODE CD MODE	3.5V 1.7V	3.5V 1.7V
3. STBY	OTHER MODE CLK-DISP ON	3.5V 1.7V	1.7V 1.7V

* REMARKS

	KD-R506UF	KD-R50M SERIES KD-R506G SERIES	KD-R401E SERIES KD-R402EY	KD-R407EE	KD-R404L
1. R06: IC71, X71, R12, R043, R745, R71, R74, C71-C78	NOT USED	USED	USED	NOT USED	NOT USED
2. B91	USED	NOT USED	NOT USED	USED	USED
3. EEPROM IC771	S-24C32AF4G-X	S-24C32AF4G-X	S-24C32AF4G-X	S-24C32AF4G-X	S-24C32AF4G-X
4. POWER CORD	QAM151-001	QAM148-001	QAM153-001	QAM153-001	QAM148-001
5. D02	NOT USED	NOT USED	IS1LX	NOT USED	NOT USED
6. STAGE SETTING					
STAGE 1	R706	NOT USED	NOT USED	NOT USED	NOT USED
	R709	USED	USED	USED	USED
STAGE 2	R710	NOT USED	NOT USED	USED	NOT USED
	R711	USED	USED	NOT USED	USED
7. TEL-MUTE	Q81, D81, C81, R81, R82	NOT USED	USED	NOT USED	NOT USED
8. AUTO-ANTENNA	D81, D82, C81, C82, R81	USED	NOT USED	USED	NOT USED
9. MOON (IC701)	MM151EF18KW1D	MM151EF18KW1E	MM151EF18KW1D		

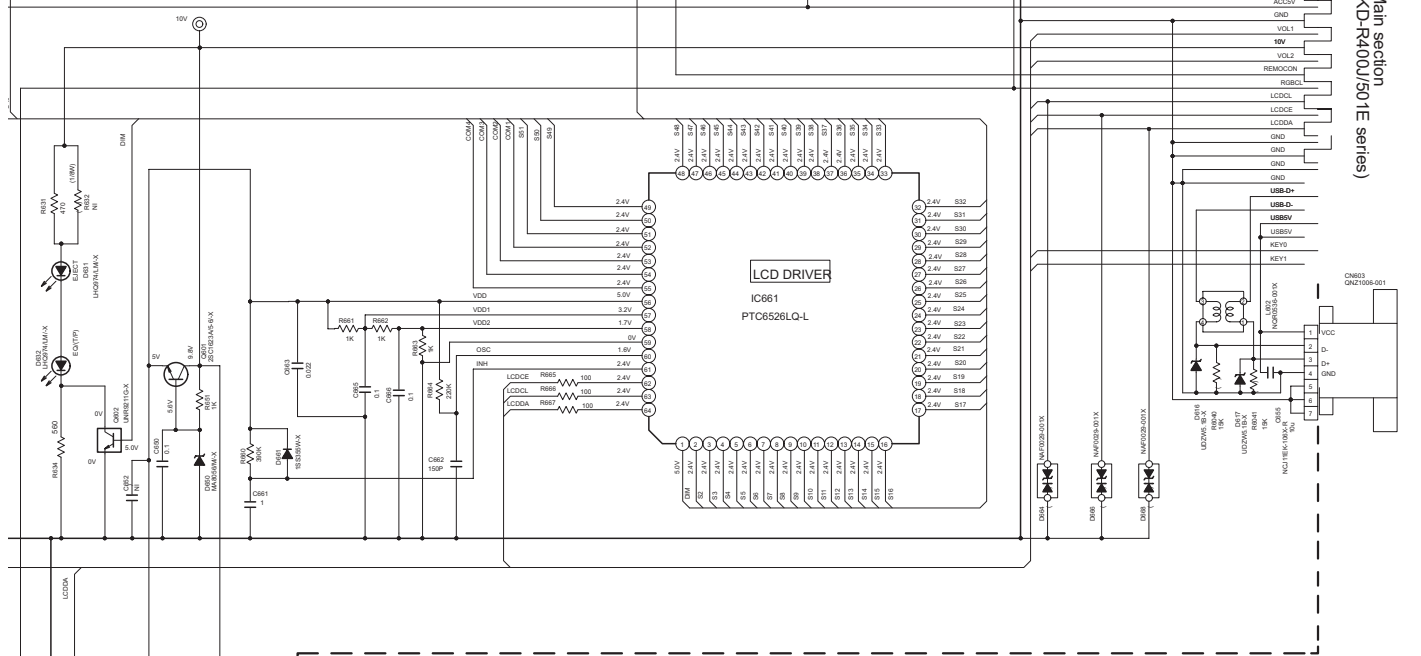
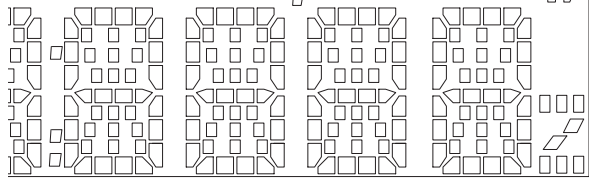


MAIN PWB: GEB10257A

Parts are safety assurance parts. When replacing those parts make sure to use the specified one.

Z ROCK POPS USER EQ

RPT HOLD HD LOUD
P PTY STMO




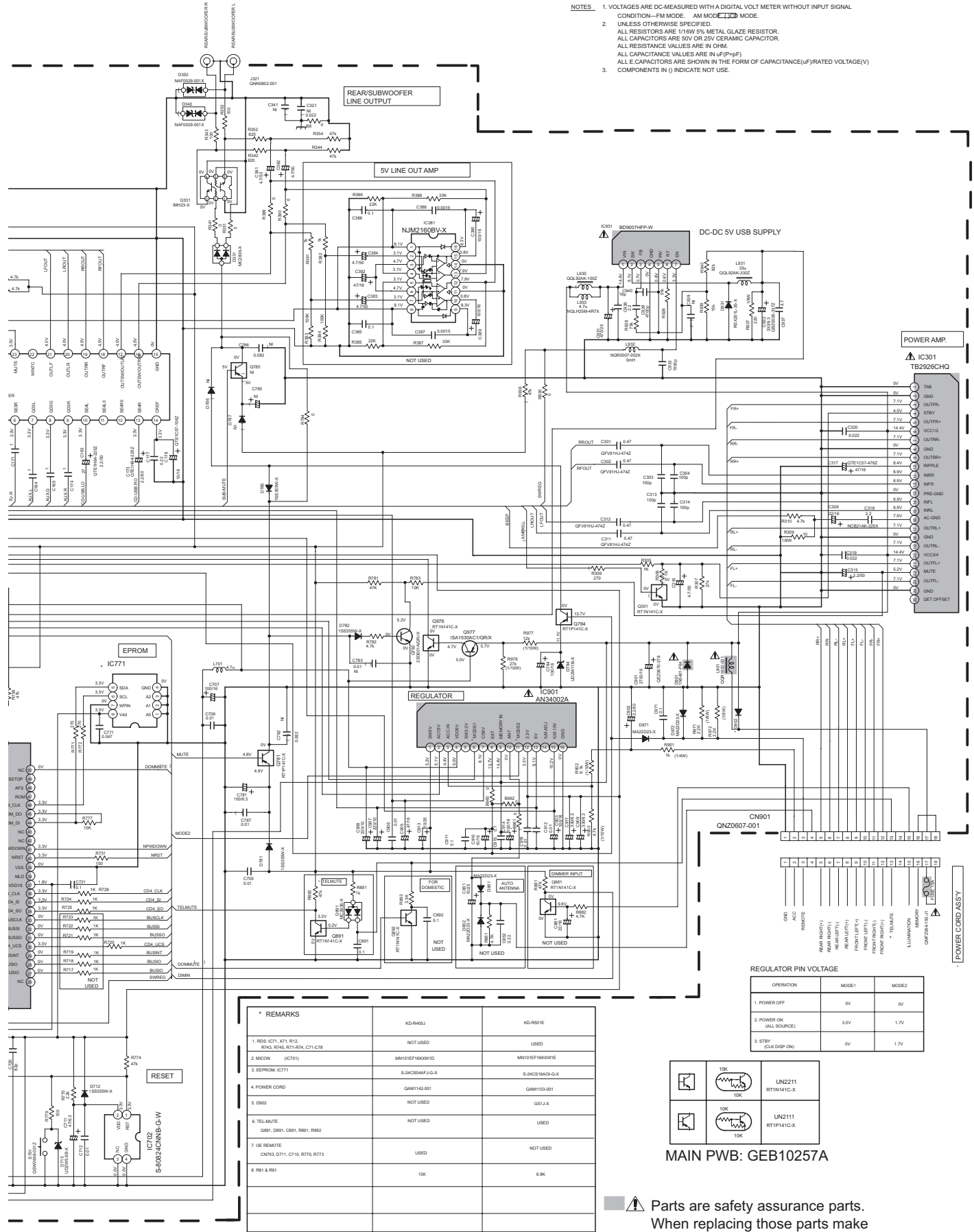
To Main section (for KD-R400J/501E series)

	4.7K		UN2222-X
	4.7K		
	10K		UNR9211G-X
	10K		

- NOTES
- VOLTAGES ARE DC-MEASURED WITH A DIGITAL VOLT METER WITHOUT INPUT SIGNAL.
 - UNLESS OTHERWISE SPECIFIED:
ALL RESISTORS ARE 1/16W +5% METAL GLAZE RESISTOR.
ALL CAPACITORS ARE 50V OR 25V CERAMIC CAPACITOR.
ALL RESISTANCE VALUES ARE IN OHM.
ALL CAPACITANCE VALUES ARE IN uF (P=pf)
ALL E-CAPACITORS ARE SHOWN IN THE FORM OF CAPACITANCE(uF)/RATED VOLTAGE(V)
T - TANTALUM CAPACITOR.
 - COMPONENTS IN () INDICATE NOT USE.

GEB10258A1

- NOTES**
1. VOLTAGES ARE DC-MEASURED WITH A DIGITAL VOLT METER WITHOUT INPUT SIGNAL CONDITION—FM MODE. AM MODE  MODE.
 2. UNLESS OTHERWISE SPECIFIED, ALL RESISTORS ARE 1/16W 5% METAL GLAZE RESISTOR. ALL CAPACITORS ARE 50V OR 25V CERAMIC CAPACITOR. ALL RESISTANCE VALUES ARE IN OHM. ALL CAPACITANCE VALUES ARE IN uF(P=HPF) ALL E CAPACITORS ARE SHOWN IN THE FORM OF CAPACITANCE(uF)/RATED VOLTAGE(V) COMPONENTS IN (j) INDICATE NOT USE.

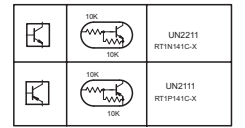


*** REMARKS**


	KD-R60J	KD-R50E
1. RDS IC71, X71, R12, R24, R34, R70, R74, C71, C78	NOT USED	USED
2. MICCON (IC70)	MN12EF7600V1D	MN12EF7600V1E
3. EEPROM IC771	S-24C254N-F-G-X	S-24C254AC-G-X
4. POWER CORD	QAM1142-001	QAM1153-001
5. DWR2	NOT USED	QST1J-X
6. TELMUTE	Q81, D81, C81, R81, R82	USED
7. OE REMOTE	CN703, D711, C710, R775, R773	NOT USED
8. R81 & R91	15K	6.8K

REGULATOR PIN VOLTAGE

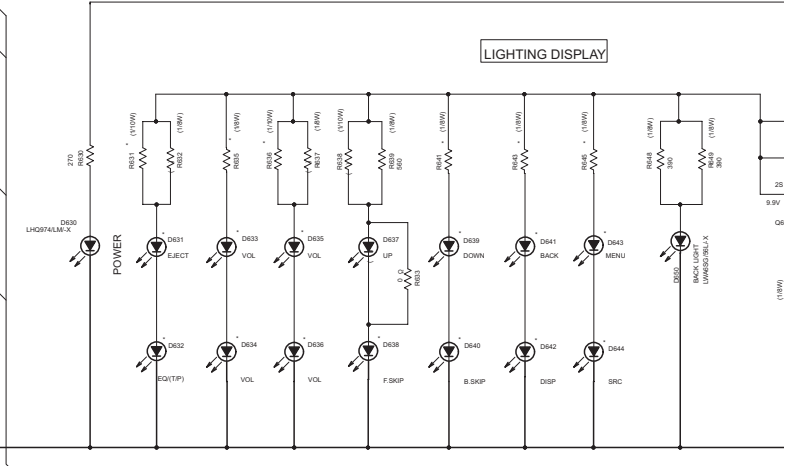
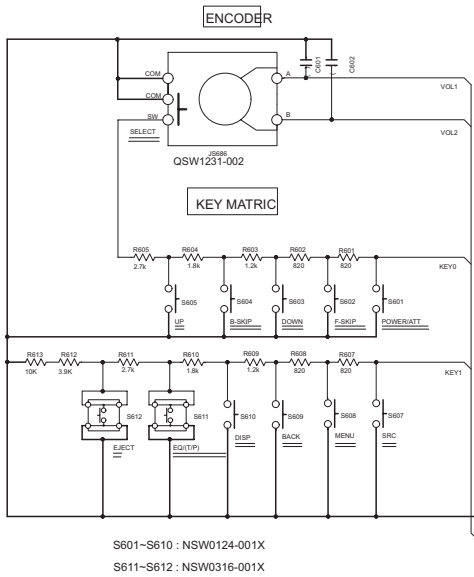
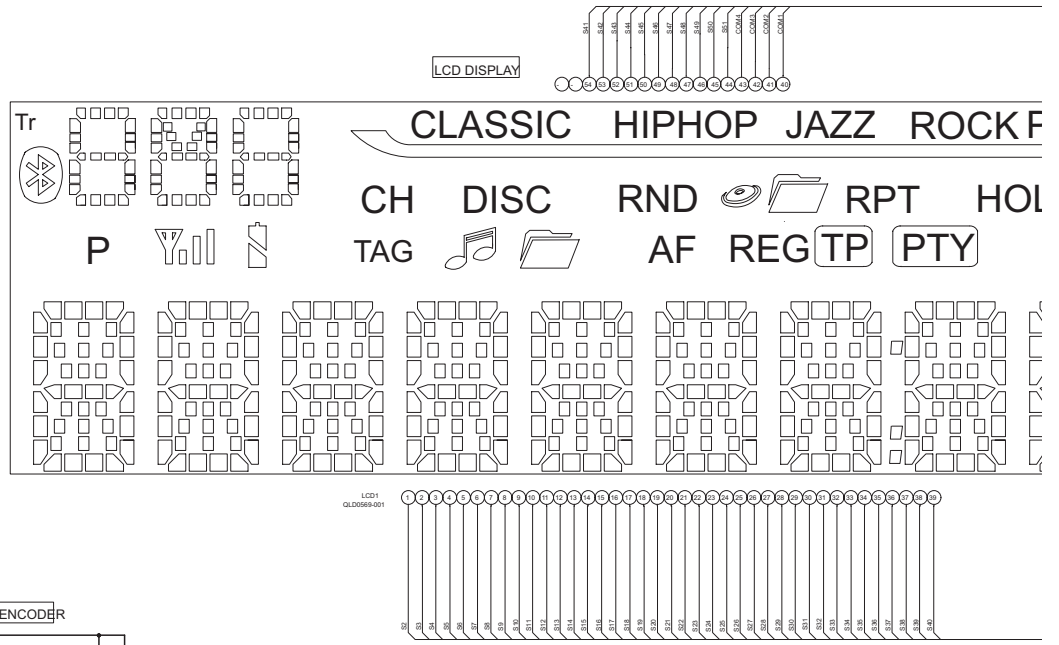
OPERATION	MODE:1	MODE:2
1. POWER OFF	0V	0V
2. POWER ON (ALL SOURCE)	3.5V	1.7V
3. STBY (CLK DISP ON)	0V	1.7V



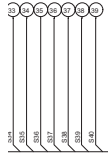
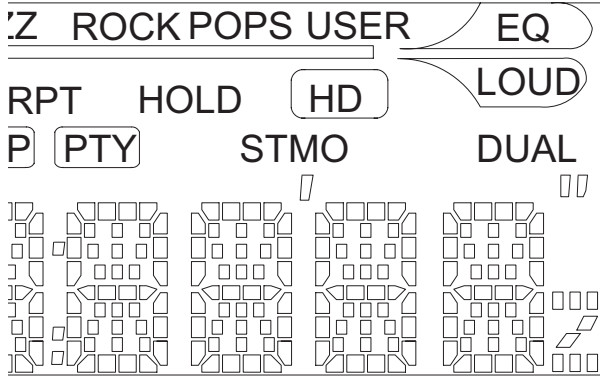
MAIN PWB: GEB10257A

 Parts are safety assurance parts. When replacing those parts make sure to use the specified one.

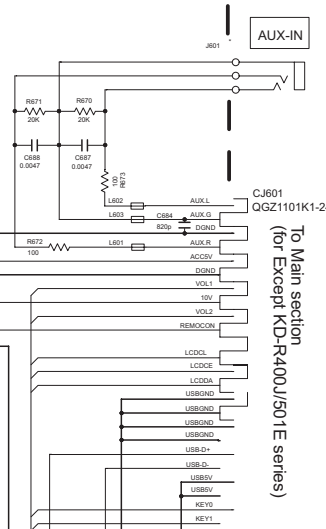
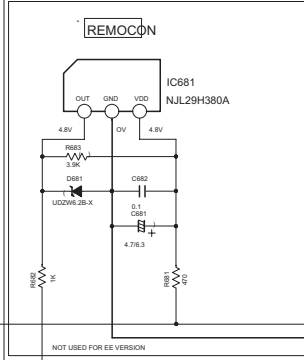
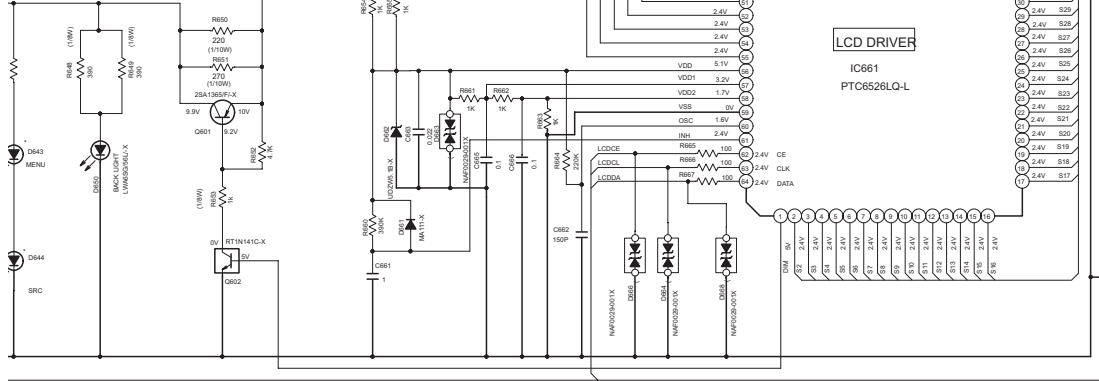
LCD & Key control section (Except KD-R400J/501E series)



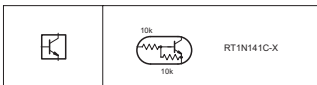
SWPWB: GEB10259A



AY



To Main section
(for Except KD-R400J501E series)



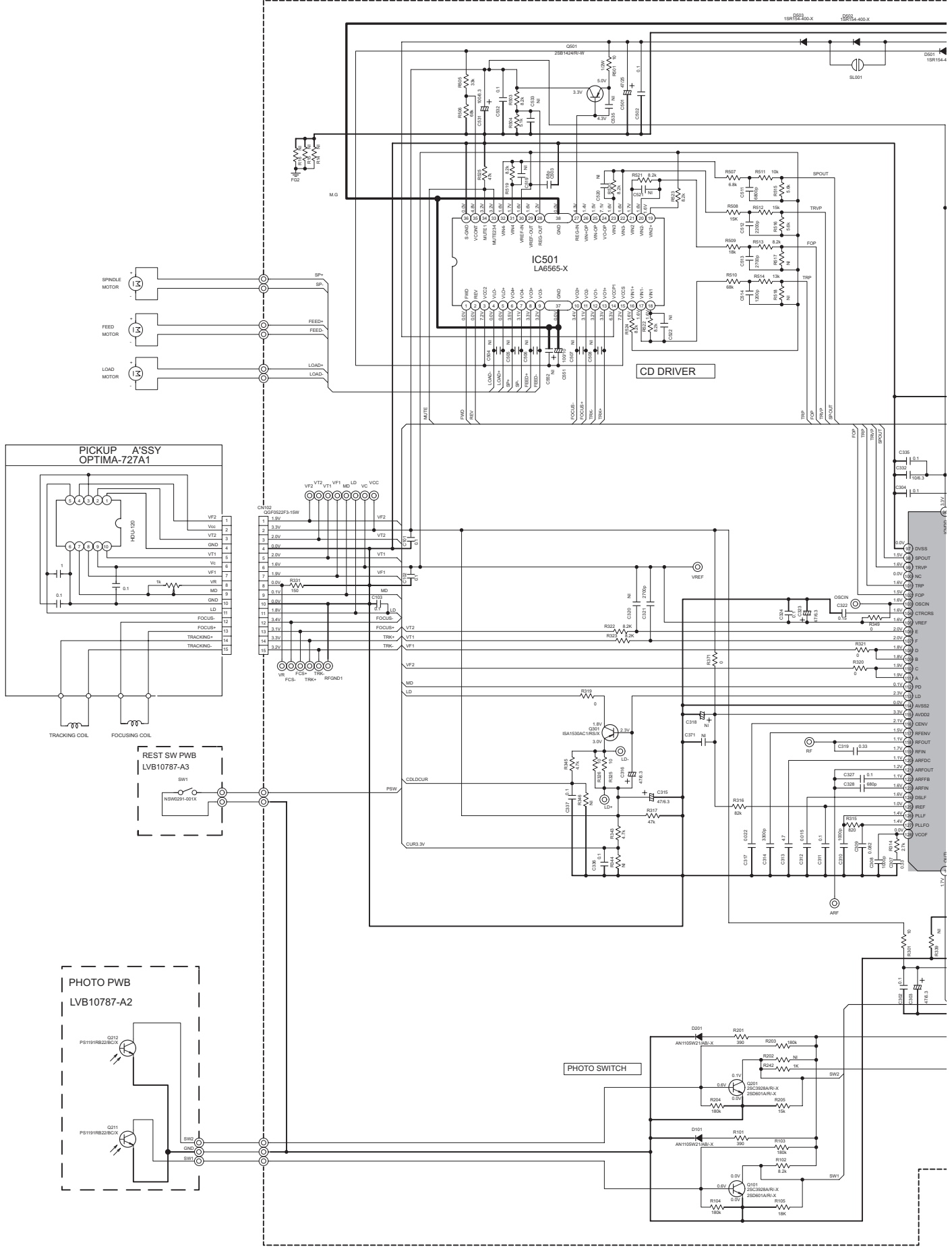
NOTES
1. VOLTAGES ARE DC-MEASURED WITH A DIGITAL VOLT METER WITHOUT INPUT SIGNAL

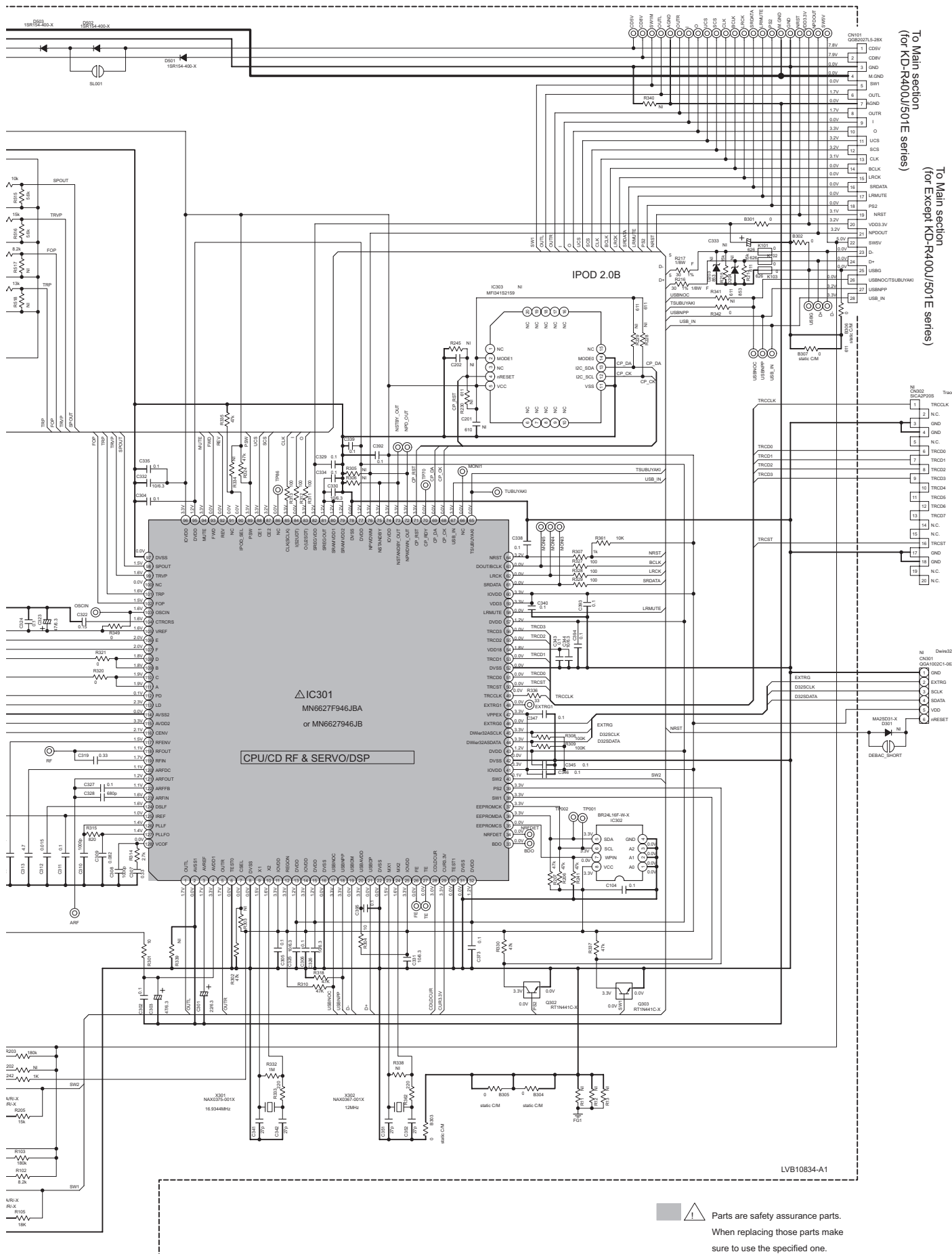
2. UNLESS OTHERWISE SPECIFIED.
ALL RESISTORS ARE 1/16W +5% METAL GLAZE RESISTOR.
ALL CAPACITORS ARE 50V OR 25V CERAMIC CAPACITOR.
ALL RESISTANCE VALUES ARE IN OHM.
ALL CAPACITANCE VALUES ARE IN uF(P=PF)
ALL CAPACITORS ARE SHOWN IN THE FORM OF CAPACITANCE(uF)/RATED VOLTAGE(V)
T --- TANTALUM CAPACITOR.

3. COMPONENTS IN () INDICATE NOT USE.

REMARKS		KD-R407EE	KD-R401E SERIES KD-R402EY	KD-R504UJ KD-R505UJ SERIES KD-R506UJ SERIES KD-R508UF
LED	D831-D836 D838-D844	LSQ971ML-X	LSQ971ML-X	LHQ274LM-X
LED BRIGHTNESS	R831, R835	430	430	470
	R836	430	430	470
	R841, R843	510	510	560
	R845	510	510	560
AUX JACK	J801	ONS9279-001	ONS9279-001	ONS9285-001
REMOTE		NOT USED	USED	USED

Mecha control section (common use)





To Main section
(for KD-R400J/501E series)

To Main section
(for Except KD-R400J/501E series)

△IC301
MN627F946JBA
or MN6627946JB

CPU/CD RF & SERVO/DSP

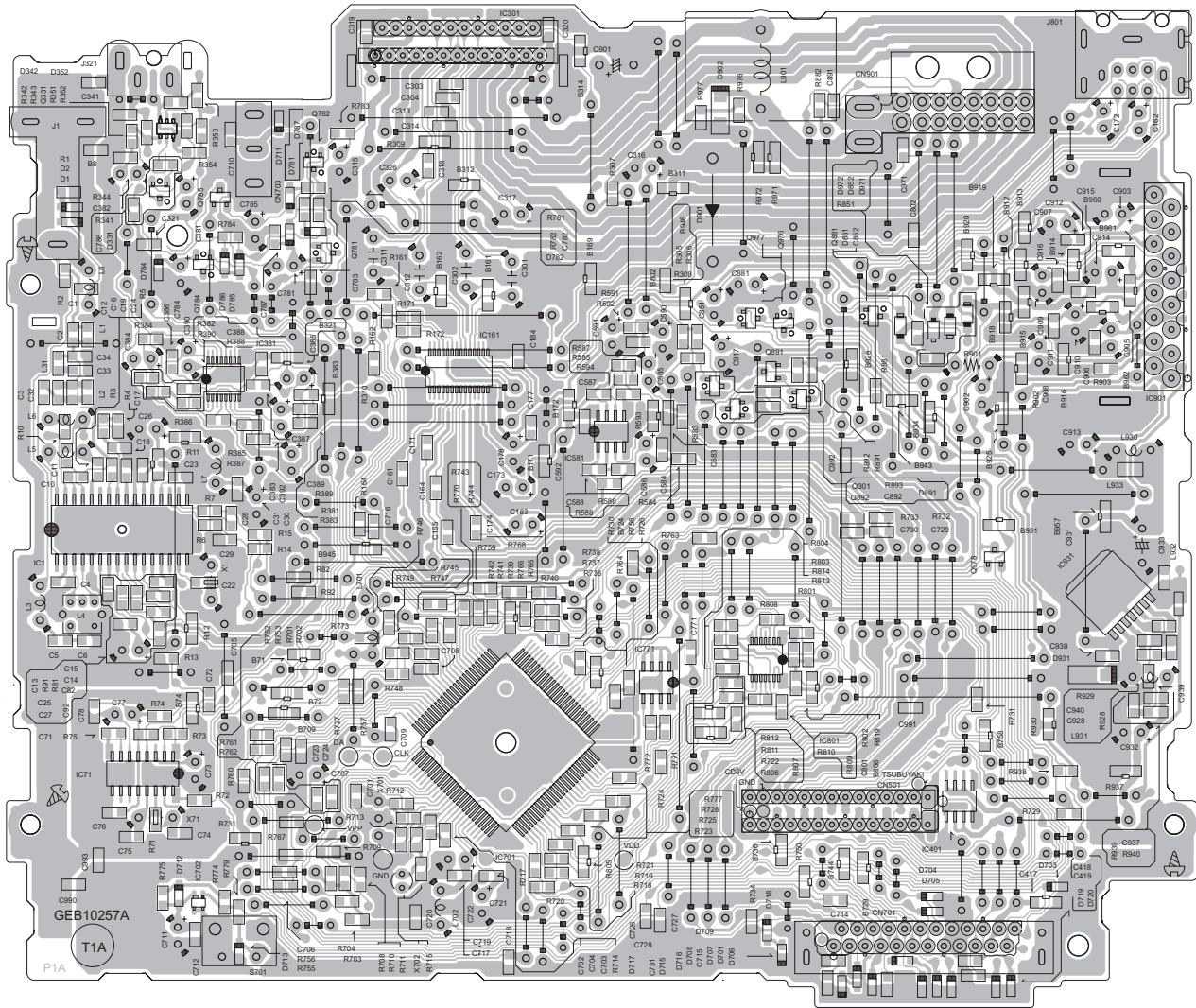
LVB10834-A1

Parts are safety assurance parts.
When replacing those parts make
sure to use the specified one.

■ Main Board (Except KD-R400J/501E series)

Lead free solder used in the board (material : Sn-Ag-Cu, melting point : 219 Centigrade)

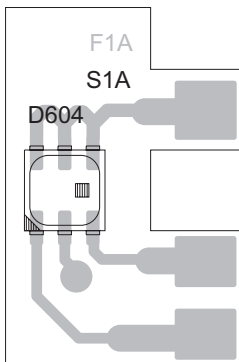
Lead free solder used in the board (material : Sn-Cu, melting point : 230 Centigrade)



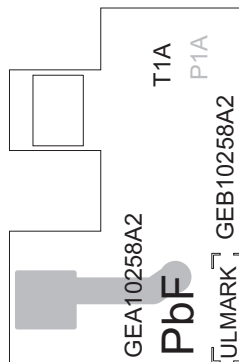
■ LED board (for KD-R400J/501E series)

Lead free solder used in the board (material : Sn-Ag-Cu, melting point : 219 Centigrade)

Lead free solder used in the board (material : Sn-Cu, melting point : 230 Centigrade)



forward side



reverse side



Victor Company of Japan, Limited

Mobile Entertainment Division 10-1,1chome,Ohwatari-machi,Maebashi-city,Gumma-ken,371-8543,Japan

PARTS LIST

KD-R400J,KD-R401E,KD-R401EX
KD-R401EY,KD-R401EU,KD-R402EY
KD-R407EE,KD-R501E,KD-R501EX
KD-R501EY,KD-R501EU,KD-R504UI
KD-R505U,KD-R505UN,KD-R505UT
KD-R505UH,KD-R506U,KD-R506UN
KD-R506UT,KD-R506UH,KD-R508UF

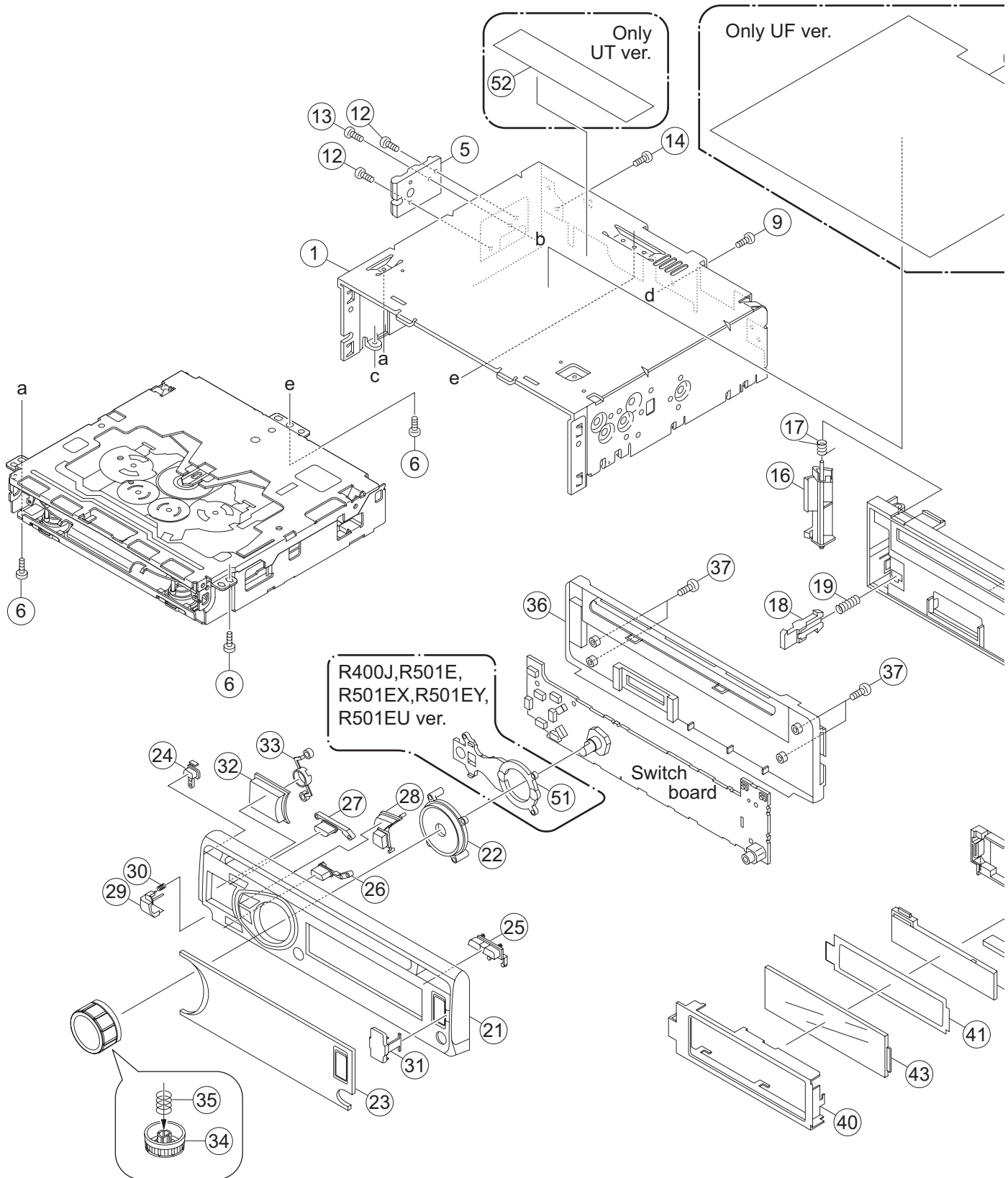
* All printed circuit boards and its assemblies are not available as service parts.

- Contents -

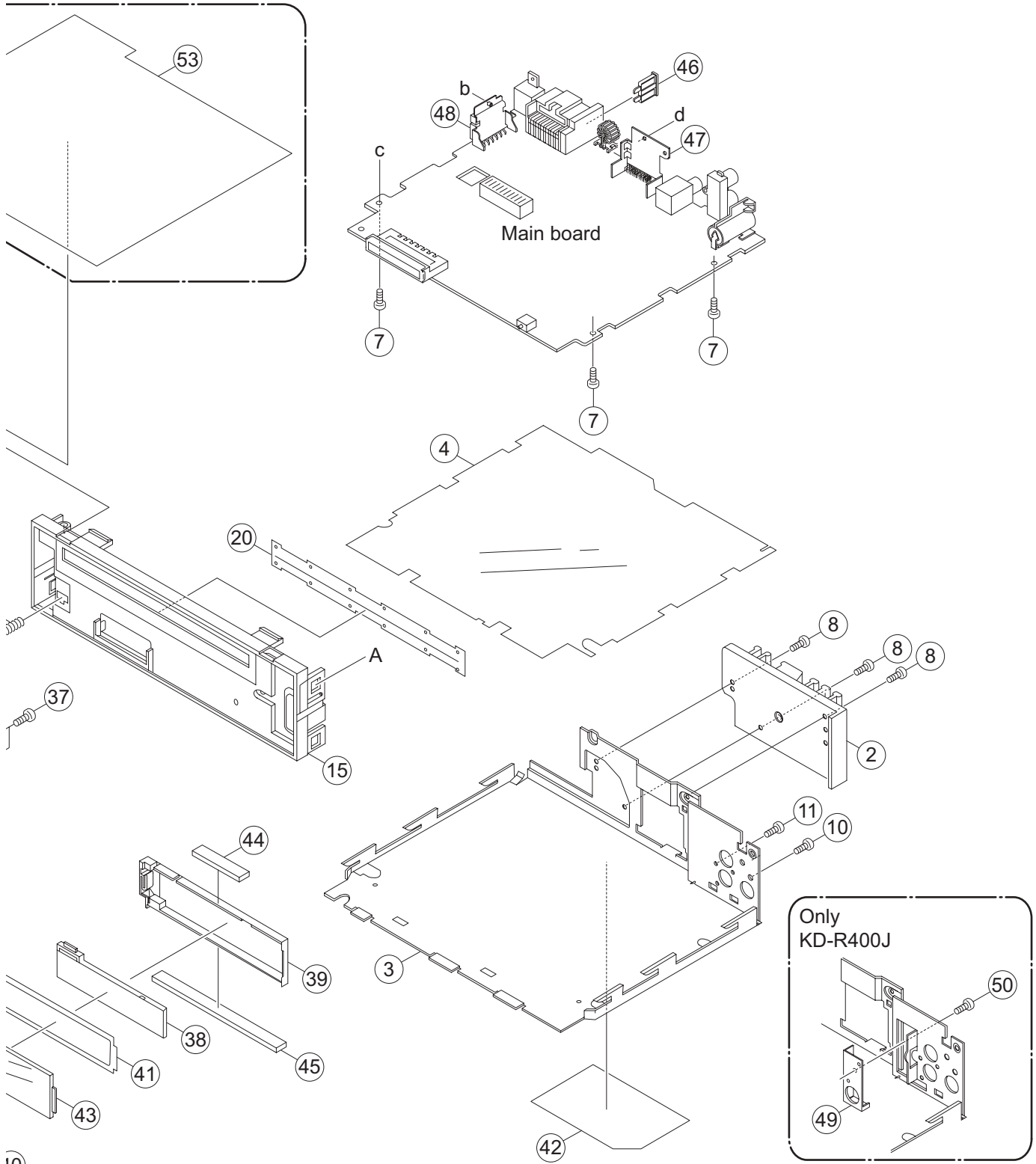
Exploded view of general assembly and parts list (Block No.M1)	3- 2
CD mechanism assembly and parts list (Block No.MB).....	3- 6
Electrical parts list (Block No.01~05).....	3- 8
Packing materials and accessories parts list (Block No.M3).....	3-18

Exploded view of general assembly and parts list

Block No. **M** **1** **M** **M**



1



10

The parts without symbol number are not service.

General Assembly

Block No. [M][1][M][M]

Symbol No.	Part No.	Part Name	Description	Local
1	GE10248-002A	TOP CHASSIS		R400J
1	GE10248-004A	TOP CHASSIS		R401E,R401EX,R401EY,R401EU,R402EY,R407EE,R501E,R501EX,R501EY,R501EU,R504UI,R505U,R505UN,R505UT,R505UH,R506U,R506UN,R506UT,R506UH,R508UF
2	GE33323-001A	HEATSINK		
3	GE20248-002A	BOTTOM COVER		R400J
3	GE20248-001A	BOTTOM COVER		R401E,R401EX,R401EY,R401EU,R402EY,R407EE,R501E,R501EX,R501EY,R501EU,R504UI,R505U,R505UN,R505UT,R505UH,R506U,R506UN,R506UT,R506UH,R508UF
4	GE33325-002A	INSULATOR		
5	GE40395-001A	SIDE PANEL		
6	QYSDST2604ZA	TAP SCREW	M2.6 x 4mm(x3)	
7	GE40377-002A	SCREW	(x3)	
8	GE40377-003A	SCREW	(x3)	
9	QYSDST2606ZA	TAP SCREW	M2.6 x 6mm	
10	QYSDST2606ZA	TAP SCREW	M2.6 x 6mm	
11	QYSDSF2606ZA	TAP SCREW	M2.6 x 6mm	
12	GE40377-002A	SCREW	(x2)	
13	QYSDST2608ZA	TAP SCREW	M2.6 x 8mm	
14	QYSDST2604ZA	TAP SCREW	M2.6 x 4mm	
15	GE10242-003A	FRONT CHASSIS		
16	GE32350-002A	LOCK LEVER		
17	GE40368-002A	TORSION SPRING		
18	GE32810-001A	RELEASE LEVER		
19	GE30999-004A	COMP SPRING		
20	GE40432-001A	BLIND		
21	GE10243-003A	FRONT PANEL A-H		R400J
21	GE10250-004A	FRONT PANEL A-L		R401E,R401EX,R401EY,R401EU,R407EE,R506U,R506UN,R506UT,R506UH,R508UF
21	GE10250-001A	FRONT PANEL A-L		R402EY,R504UI,R505U,R505UN,R505UT,R505UH
21	GE10243-005A	FRONT PANEL A-H		R501E,R501EX,R501EY,R501EU
22	GE33316-002A	RIM LENS		R400J,R501E,R501EX,R501EY,R501EU
22	GE33316-202A	RIM LENS		R401E,R401EX,R401EY,R401EU,R402EY,R407EE,R504UI,R505U,R505UN,R505UT,R505UH,R506U,R506UN,R506UT,R506UH,R508UF
23	GE33343-003A	FINDER ASSY		R400J
23	GE33343-002A	FINDER ASSY		R401E,R401EX,R401EY,R401EU
23	GE33343-011A	FINDER ASSY		R402EY
23	GE33343-008A	FINDER ASSY		R407EE
23	GE33343-005A	FINDER ASSY		R501E,R501EX,R501EY,R501EU
23	GE33343-006A	FINDER ASSY		R504UI
23	GE33343-007A	FINDER ASSY		R505U,R505UN,R505UT,R505UH
23	GE33343-010A	FINDER ASSY		R506U,R506UN,R506UT,R506UH
23	GE33343-009A	FINDER ASSY		R508UF
24	GE33307-001A	POWER BTN		
25	GE33308-001A	EJECT BTN		
26	GE33309-004A	DISP BTN HI		R400J,R501E,R501EX,R501EY,R501EU
26	GE33326-001A	DISP BTN A-LO		R401E,R401EX,R401EY,R401EU,R402EY,R407EE,R504UI,R505U,R505UN,R505UT,R505UH,R506U,R506UN,R506UT,R506UH,R508UF
27	GE33310-004A	SRC BTN HI		R400J,R501E,R501EX,R501EY,R501EU
27	GE33327-001A	SRC BTN A-LO		R401E,R401EX,R401EY,R401EU,R402EY,R407EE,R504UI,R505U,R505UN,R505UT,R505UH,R506U,R506UN,R506UT,R506UH,R508UF
28	GE33311-001A	MENU BTN HI		R400J,R501E,R501EX,R501EY,R501EU
28	GE33328-001A	MENU BTN A-LO		R401E,R401EX,R401EY,R401EU,R402EY,R407EE,R504UI,R505U,R505UN,R505UT,R505UH,R506U,R506UN,R506UT,R506UH,R508UF
29	GE33315-003A	DETACH BTN		R400J,R401E,R401EX,R401EY,R401EU,R407EE,R501E,R501EX,R501EY,R501EU,R506U,R506UN,R506UT,R506UH,R508UF
29	GE33315-001A	DETACH BTN		R402EY,R504UI,R505U,R505UN,R505UT,R505UH
30	GE30999-006A	COMP SPRING		
31	GE33331-001A	USB RUBBER CAP		
32	GE33312-004A	NAVI BTN HI		R400J,R501E,R501EX,R501EY,R501EU
32	GE33329-004A	NAVI BTN A-LO		R401E,R401EX,R401EY,R401EU,R407EE,R506U,R506UN,R506UT,R506UH,R508UF
32	GE33329-001A	NAVI BTN A-LO		R402EY,R504UI,R505U,R505UN,R505UT,R505UH
33	GE33313-002A	NAVI BTN BASE		
34	GE33320-002A	VOL KNOB		R400J
34	GE33320-001A	VOL KNOB		R401E,R401EX,R401EY,R401EU,R402EY,R407EE,R501E,R501EX,R501EY,R501EU,R504UI,R505U,R505UN,R505UT,R505UH,R506U,R506UN,R506UT,R506UH,R508UF
35	GE40127-005A	KNOB SPRING		
36	GE10244-001A	REAR COVER		
37	VKZ4777-010	MINI SCREW	(x4)	
38	GE33317-001A	LCD LENS		
39	GE33318-001A	LENS CASE		
40	GE33319-001A	LCD CASE		
41	GE40440-001A	LIGHTING SHEET		
42	GE33447-002A	NAME PLATE		R400J
42	GE33441-001A	NAME PLATE		R401E,R401EX,R401EY,R401EU
42	GE33711-001A	NAME PLATE		R402EY
42	GE33444-002A	NAME PLATE		R407EE
42	GE33588-001A	NAME PLATE		R501E,R501EX,R501EY,R501EU

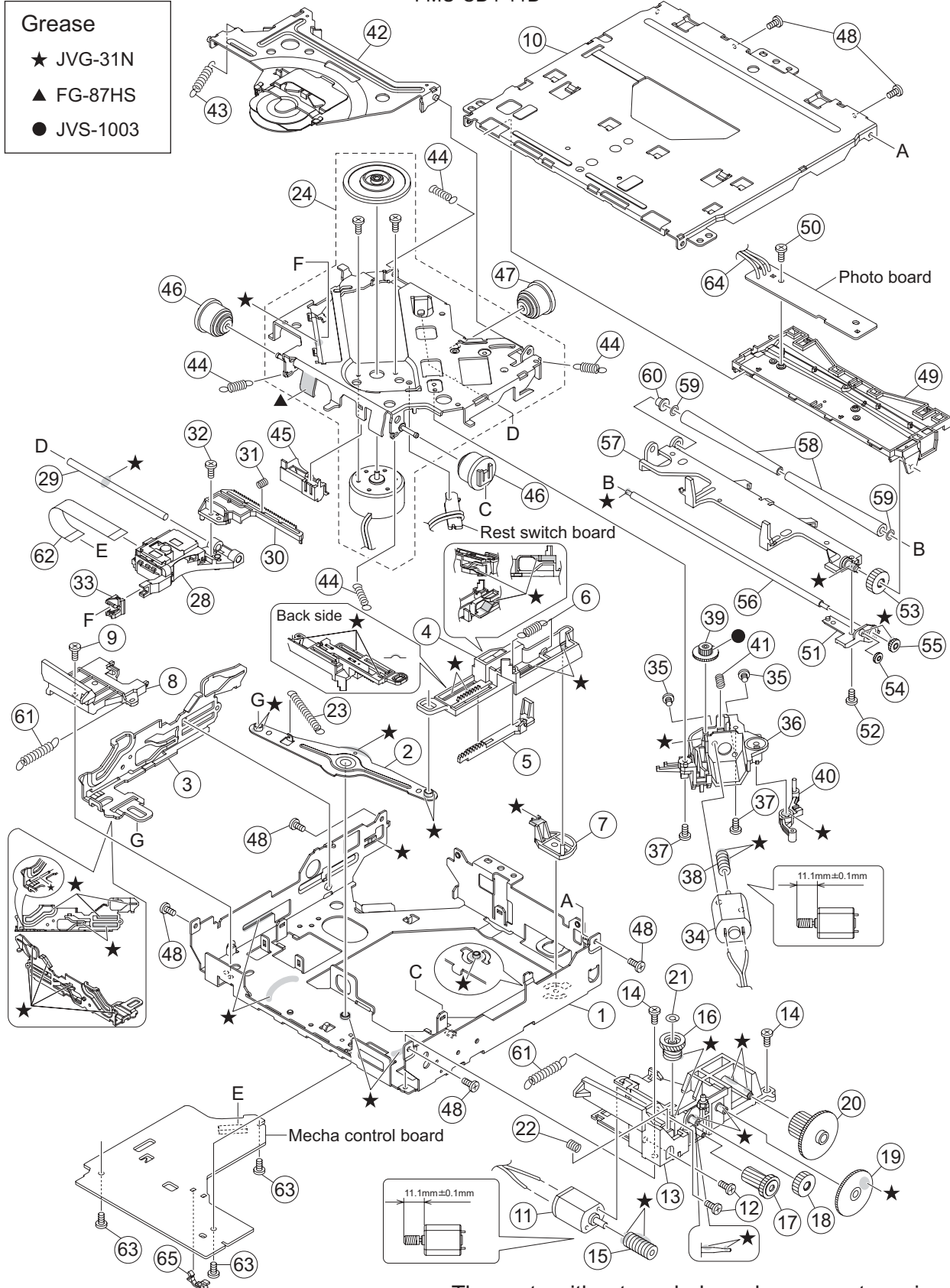
△ Symbol No.	Part No.	Part Name	Description	Local
42	GE33507-001A	NAME PLATE		R504UI
42	GE33468-001A	NAME PLATE		R505U,R505UN,R505UT,R505UH
42	GE33504-001A	NAME PLATE		R506U,R506UN,R506UT,R506UH
42	GE33585-001A	NAME PLATE		R508UF
43	QLD0569-001	LCD MODULE		
44	QNZ1002-001	RUBBER CONNECTO		
45	QNZ1003-001	RUBBER CONNECTO		
△ 46	QMFZ064-150-J1	FUSE	15A	
47	GE40439-001A	POWER IC BKT		
48	GE40396-002A	REG BRACKET		
49	GE40441-001A	OE HOLDER		R400J
50	QYSDST2604ZA	TAP SCREW	M2.6 x 4mm	R400J
51	GE33314-002A	LIGHT GUIDE		R400J,R501E,R501EX,R501EY,R501EU
52	GE31574-0A1A	UT LABEL		R505UT
52	GE31574-0A2A	UT LABEL		R506UT
53	GE33440-001A	TOP SHEET		R508UF

CD mechanism assembly and parts list

Block No. M B M M

FMU-CD4-11D

- Grease**
- ★ JVG-31N
 - ▲ FG-87HS
 - JVS-1003



The parts without symbol number are not service.

CD mechanism

Block No. [M][B][M][M]

△	Symbol No.	Part No.	Part Name	Description	Local
	1	LV11598-001A	MECHA FRAME		
	2	LV36800-001A	LINK ARM		
	3	LV22300-001A	SLIDE CAM(L)		
	4	LV22298-002A	SLIDE CAM(R)		
	5	LV36802-001A	LOAD RACK		
	6	LV44552-001A	RETURN SPRING		
	7	LV36803-002A	F LOCK LEVER		
	8	LV36804-002A	CAM COVER		
	9	VKZ4539-054	MINI SCREW		
	10	LV11260-002A	TOP COVER		
	11	QAR0373-002	MOTOR		
	12	QYSPSPT2025MA	SCREW	M2 x 2.5mm(x2)	
	13	LV36903-002A	L.M.BASE ASSY		
	14	VKZ4539-054	MINI SCREW	(x2)	
	15	LV36806-001A	L.WORM GEAR		
	16	LV36805-001A	M WHEEL GEAR		
	17	LV36807-001A	A WHEEL GEAR		
	18	LV36808-001A	R.ACT GEAR(1)		
	19	LV36809-001A	LOAD ACT GEAR		
	20	LV36810-001A	LOADING GEAR		
	21	QYWDL1230250	SLIT WASHER	3mm/1.2mm x 0.25mm	
	22	LV44589-002A	COMPRESSION SPRING		
	23	LV44658-001A	LINK SPRING		
	24	CM-FLMCD1D	SPINDLE MOTOR ASSY		
	28	QAL0993-001	PICK UP		
	29	LV44555-001A	MAIN SHAFT		
	30	LV36799-001A	RACK PLATE		
	31	LV45227-001A	RACK SPRING		
	32	QYSPSGT1745ZA	TAP SCREW	M1.7 x 4.5mm	
	33	LV36813-001A	SUB GUIDE CAP		
	34	QAR0144-003	MOTOR	2.0V DC	
	35	QYSPSPT2025MA	SCREW	M2 x 2.5mm(x2)	
	36	LV22296-001A	F.MOTOR HOLDER		
	37	VKZ4539-054	MINI SCREW	(x2)	
	38	LV36814-001A	F.WORM GEAR		
	39	LV36815-001A	F.WHEEL GEAR		
	40	LV36816-001A	TRIGGER ARM		
	41	LV44589-002A	COMPRESSION SPRING		
	42	LV37326-002A	CLAMPER ASSY		
	43	LV44557-002A	CLAMPER SPRING		
	44	LV44558-001A	SUS SPRING	(x4)	
	45	LV36820-001A	WIRE HOLDER		
	46	LV36904-001A	DAMPER	(x2)	
	47	LV37061-001A	DAMPER		
	48	VKZ4539-054	MINI SCREW	(x6)	
	49	LV11264-003A	DISC PLATE		
	50	LV44586-001A	SPECIAL SCREW		
	51	LV36801-002A	GEAR HOLDER		
	52	VKZ4539-054	MINI SCREW		
	53	LV36821-001A	R.ACT GEAR(2)		
	54	LV36822-001A	R.ACT GEAR(3)		
	55	LV36823-001A	ROLLER GEAR		
	56	LV44559-002A	ROLLER SHAFT		
	57	LV22325-002A	R H ASSY		
	58	LV44560-001A	ROLLER	(x2)	
	59	LV44590-001A	WASHER	(x2)	
	60	LV44561-001A	ROLLER COLLAR		
	61	LV44562-002A	ROLLER SPRING	(x2)	
	62	QAL0817-003	FPC		
	63	VKZ4539-054	MINI SCREW	(x3)	
	64	WJS0085-001A-E	E-FL/RB WIRE		
	65	LV34916-001A	WIRE CLAMP		

Electrical parts list

Main board (For R400 & R501)

Block No. [0][1]

△ Symbol No.	Part No.	Part Name	Description	Local
△ IC1	TEF6606TV3-X	IC1		
△ IC71	LC72725KM-X	IC		R501E,R501 EX,R501EY,R 501EU
IC161	TDA7718-X	IC		
△ IC301	TB2926CHQ	IC		
IC401	TPS2051BD-X	IC		
IC581	NJM4565E-X	IC		
△ IC701	MN101EF16KXW1D	IC (PROGRAMMED)		R400J
△ IC701	MN101EF16KXW1E	IC (PROGRAMMED)		R501E,R501 EX,R501EY,R 501EU
IC702	S-80824CNNB-G-W	IC		
IC702	or IC-PST3424U-X	IC		
IC771	S-24CS04AFJ-G-X	IC		R400J
IC771	S-24CS16A0I-G-X	IC		R501E,R501 EX,R501EY,R 501EU
△ IC901	AN34002A	REGULATOR IC		
△ IC931	BD9007HFP-W	IC		
Q331	IMH23-X	TRANSISTOR		
Q781	RT1P141C-X	DIGI TRANSISTOR		
Q781	or UN2111-X	TRANSISTOR		
Q782	2SC3928A/QR/-X	TRANSISTOR		
Q782	or 2SC5845-X	TRANSISTOR		
Q784	RT1P141C-X	DIGI TRANSISTOR		
Q784	or UN2111-X	TRANSISTOR		
Q891	RT1N141C-X	DIGI TRANSISTOR		R501E,R501 EX,R501EY,R 501EU
Q891	or UN2211-X	TRANSISTOR		R501E,R501 EX,R501EY,R 501EU
Q976	RT1N141C-X	DIGI TRANSISTOR		
Q976	or UN2211-X	TRANSISTOR		
Q977	ISA1530AC1/QR/X	TRANSISTOR		
Q977	or 2SA2077-X	TRANSISTOR		
Q978	2SC3928A/QR/-X	TRANSISTOR		
Q978	or 2SC5845-X	TRANSISTOR		
D1	MA111-X	SI DIODE		
D1	or 1SS355W-X	DIODE		
D2	MA111-X	SI DIODE		
D2	or 1SS355W-X	DIODE		
D331	MC2836-X	DIODE		
D331	or MA152WA-X	DIODE		
D711	UDZW6.2B-X	Z DIODE		R400J
D711	or MA8062/M/-X	Z DIODE		R400J
D712	MA111-X	SI DIODE		
D712	or 1SS355W-X	DIODE		
D713	MA8056/M/-X	Z DIODE		
D713	or UDZW5.6B-X	Z DIODE		
D715	MA8062/M/-X	Z DIODE		
D715	or UDZW6.2B-X	Z DIODE		
D716	MA8062/M/-X	Z DIODE		
D716	or UDZW6.2B-X	Z DIODE		
D717	MA8062/M/-X	Z DIODE		
D717	or UDZW6.2B-X	Z DIODE		
D718	MA8062/M/-X	Z DIODE		
D718	or UDZW6.2B-X	Z DIODE		
D719	MA8051/M/-X	Z DIODE		
D719	or UDZW5.1B-X	SB DIODE		
D720	MA8051/M/-X	Z DIODE		
D720	or UDZW5.1B-X	SB DIODE		
D781	MA111-X	SI DIODE		
D781	or 1SS355W-X	DIODE		
D782	MA111-X	SI DIODE		
D782	or 1SS355W-X	DIODE		
D784	MA8110/M/-X	Z DIODE		
D784	or UDZW11B-X	Z DIODE		
D785	MA111-X	SI DIODE		
D785	or 1SS355W-X	DIODE		

△ Symbol No.	Part No.	Part Name	Description	Local
D891	MC2836-X	DIODE		R501E,R501 EX,R501EY,R 501EU
D891	or MA152WA-X	DIODE		R501E,R501 EX,R501EY,R 501EU
△ D901	1N5401-F64	SI DIODE		
△ D901	or 1N5401-TU-15	SI DIODE		
D902	GS1J-X	DIODE		R501E,R501 EX,R501EY,R 501EU
D931	RSX201L-30-X	SB DIODE		
D971	MA22D23-X	SB DIODE		
D971	or CRS03-W	SB DIODE		
D971	or RB160M-30-X	SB DIODE		
D972	MA22D23-X	SB DIODE		
D972	or RB160M-30-X	SB DIODE		
D972	or CRS03-W	SB DIODE		
C1	NCB31HK-102X	C CAPACITOR	1000pF 50V K	
C2	NDC31HJ-5R6X	C CAPACITOR	5.6pF 50V J	
C3	NCB31HK-102X	C CAPACITOR	1000pF 50V K	
C4	NCB31AK-224X	C CAPACITOR	0.22uF 10V K	
C5	NDC31HJ-150X	C CAPACITOR	15pF 50V J	
C6	NDC31HJ-220X	C CAPACITOR	22pF 50V J	
C10	NCB21AK-105X	C CAPACITOR	1uF 10V K	
C11	NCB31HK-103X	C CAPACITOR	0.01uF 50V K	
C12	NCB31HK-103X	C CAPACITOR	0.01uF 50V K	
C13	NCB21AK-105X	C CAPACITOR	1uF 10V K	
C14	NCB31AK-224X	C CAPACITOR	0.22uF 10V K	
C15	NCB31CK-104X	C CAPACITOR	0.1uF 16V K	
C16	NCB31HK-103X	C CAPACITOR	0.01uF 50V K	
C17	NCB31CK-104X	C CAPACITOR	0.1uF 16V K	
C18	NCB31HK-103X	C CAPACITOR	0.01uF 50V K	
C19	NCB31CK-104X	C CAPACITOR	0.1uF 16V K	
C22	NDC31HJ-150X	C CAPACITOR	15pF 50V J	
C23	NCB31CK-104X	C CAPACITOR	0.1uF 16V K	
C24	NCB31HK-103X	C CAPACITOR	0.01uF 50V K	
C25	NCB31HK-103X	C CAPACITOR	0.01uF 50V K	
C26	QEJ1CM-107Z	E CAPACITOR	100uF 16V M	
C27	QEJ1EM-106Z	E CAPACITOR	10uF 25V M	
C71	NDC31HJ-561X	C CAPACITOR	560pF 50V J	R501E,R501 EX,R501EY,R 501EU
C72	NDC31HJ-331X	C CAPACITOR	330pF 50V J	R501E,R501 EX,R501EY,R 501EU
C73	QEJ1EM-106Z	E CAPACITOR	10uF 25V M	R501E,R501 EX,R501EY,R 501EU
C74	NDC31HJ-330X	C CAPACITOR	33pF 50V J	R501E,R501 EX,R501EY,R 501EU
C75	NDC31HJ-330X	C CAPACITOR	33pF 50V J	R501E,R501 EX,R501EY,R 501EU
C76	NCB31HK-103X	C CAPACITOR	0.01uF 50V K	R501E,R501 EX,R501EY,R 501EU
C77	QEJ1J0M-476Z	E CAPACITOR	47uF 6.3V M	R501E,R501 EX,R501EY,R 501EU
C78	NDC31HJ-821X	C CAPACITOR	820pF 50V J	R501E,R501 EX,R501EY,R 501EU
C161	NCB31AK-105X	C CAPACITOR	1uF 10V K	
C163	QTE1H64-225Z	E CAPACITOR	2.2uF 50V	
C164	NCB31AK-105X	C CAPACITOR	1uF 10V K	
C165	NCB31AK-105X	C CAPACITOR	1uF 10V K	
C171	NCB31AK-105X	C CAPACITOR	1uF 10V K	
C173	QTE1H64-225Z	E CAPACITOR	2.2uF 50V	
C174	NCB31AK-105X	C CAPACITOR	1uF 10V K	
C177	NCB31AK-224X	C CAPACITOR	0.22uF 10V K	
C178	QTE1C57-106Z	E CAPACITOR	10uF 16V	
C184	NCB31CK-104X	C CAPACITOR	0.1uF 16V K	
C301	QFV91HJ-474Z	MF CAPACITOR	0.47uF 50V J	
C302	QFV91HJ-474Z	MF CAPACITOR	0.47uF 50V J	
C303	NDC31HJ-101X	C CAPACITOR	100pF 50V J	
C304	NDC31HJ-101X	C CAPACITOR	100pF 50V J	

△ Symbol No.	Part No.	Part Name	Description	Local	△ Symbol No.	Part No.	Part Name	Description	Local
C311	QFV91HJ-474Z	MF CAPACITOR	0.47uF 50V J		C937	NCB21AK-475X	C CAPACITOR	4.7uF 10V K	
C312	QFV91HJ-474Z	MF CAPACITOR	0.47uF 50V J		C938	NCJ21CK-225X-R	C CAPACITOR	2.2uF 16V K	
C313	NDC31HJ-101X	C CAPACITOR	100pF 50V J		C940	NDC31HJ-180X	C CAPACITOR	18pF 50V J	
C314	NDC31HJ-101X	C CAPACITOR	100pF 50V J		C971	NCB31EK-104X	C CAPACITOR	0.1uF 25V K	
C315	QEKJ1HM-225Z	E CAPACITOR	2.2uF 50V M		C990	NCB31HK-182X	C CAPACITOR	1800pF 50V K	
C316	QEKJ1HM-475Z	E CAPACITOR	4.7uF 50V M		C992	NDC31HJ-101X	C CAPACITOR	100pF 50V J	
C317	QTE1C57-476Z	E CAPACITOR	47uF 16V		R2	NRSA63J-824X	MG RESISTOR	820kΩ 1/16W J	
C318	NCB21AK-225X-A	C CAPACITOR	2.2uF 10V K		R3	NRSA63J-0R0X	MG RESISTOR	0Ω 1/16W J	
C319	NCB31EK-223X	C CAPACITOR	0.022uF 25V K		R4	NRSA63J-472X	MG RESISTOR	4.7kΩ 1/16W J	
C320	NCB31EK-223X	C CAPACITOR	0.022uF 25V K		R5	NRS181J-220X	MG RESISTOR	22Ω 1/8W J	
C326	QEKJ1CM-226Z	E CAPACITOR	22uF 16V M		R6	NRSA63J-101X	MG RESISTOR	100Ω 1/16W J	
C381	QEKJ1HM-475Z	E CAPACITOR	4.7uF 50V M		R7	NRSA63J-101X	MG RESISTOR	100Ω 1/16W J	
C382	QEKJ1HM-475Z	E CAPACITOR	4.7uF 50V M		R10	NRSA63J-0R0X	MG RESISTOR	0Ω 1/16W J	
C417	NCJ11EK-106X-R	C CAPACITOR	10uF 25V		R11	NRS181J-4R7X	MG RESISTOR	4.7Ω 1/8W J	
C418	NDC31HJ-220X	C CAPACITOR	22pF 50V J		R12	NRZ0084-0R0X	MG RESISTOR	0Ω	R501E,R501EX,R501EY,R501EU
C419	NDC31HJ-220X	C CAPACITOR	22pF 50V J		R14	NRSA63J-472X	MG RESISTOR	4.7kΩ 1/16W J	
C583	NDC31HJ-821X	C CAPACITOR	820pF 50V J		R15	NRSA63J-472X	MG RESISTOR	4.7kΩ 1/16W J	
C584	NDC31HJ-821X	C CAPACITOR	820pF 50V J		R71	NRSA63J-0R0X	MG RESISTOR	0Ω 1/16W J	R501E,R501EX,R501EY,R501EU
C585	QTE1H57-225Z	E CAPACITOR	2.2uF 50V		R72	NRSA63J-222X	MG RESISTOR	2.2kΩ 1/16W J	R501E,R501EX,R501EY,R501EU
C586	QTE1H57-225Z	E CAPACITOR	2.2uF 50V		R73	NRSA63J-222X	MG RESISTOR	2.2kΩ 1/16W J	R501E,R501EX,R501EY,R501EU
C587	NDC31HJ-151X	C CAPACITOR	150pF 50V J		R74	NRSA02J-101X	MG RESISTOR	100Ω 1/10W J	R501E,R501EX,R501EY,R501EU
C588	NDC31HJ-151X	C CAPACITOR	150pF 50V J		R81	NRSA63J-153X	MG RESISTOR	15kΩ 1/16W J	R400J
C590	QTE0J57-476Z	E CAPACITOR	47uF 6.3V		R81	NRSA63J-682X	MG RESISTOR	6.8kΩ 1/16W J	R501E,R501EX,R501EY,R501EU
C591	QTE1A57-107Z	E CAPACITOR	100uF 10V		R82	NRSA63J-822X	MG RESISTOR	8.2kΩ 1/16W J	R400J
C592	NCB31AK-104X	C CAPACITOR	0.1uF 10V K		R91	NRSA63J-153X	MG RESISTOR	15kΩ 1/16W J	R501E,R501EX,R501EY,R501EU
C703	NDC31HJ-270X	C CAPACITOR	27pF 50V J		R91	NRSA63J-682X	MG RESISTOR	6.8kΩ 1/16W J	R501E,R501EX,R501EY,R501EU
C704	NDC31HJ-270X	C CAPACITOR	27pF 50V J		R92	NRSA63J-822X	MG RESISTOR	8.2kΩ 1/16W J	
C705	NCB31EK-103X	C CAPACITOR	0.01uF 25V K		R161	NRSA63J-472X	MG RESISTOR	4.7kΩ 1/16W J	
C706	NCB31EK-103X	C CAPACITOR	0.01uF 25V K		R162	NRSA63J-472X	MG RESISTOR	4.7kΩ 1/16W J	
C707	QEKJ1CM-107Z	E CAPACITOR	100uF 16V M		R171	NRSA63J-101X	MG RESISTOR	100Ω 1/16W J	
C708	NCB31CK-104X	C CAPACITOR	0.1uF 16V K		R172	NRSA63J-101X	MG RESISTOR	100Ω 1/16W J	
C709	NCB31CK-104X	C CAPACITOR	0.1uF 16V K		R305	NRSA63J-102X	MG RESISTOR	1kΩ 1/16W J	
C710	NDC31HJ-101X	C CAPACITOR	100pF 50V J	R400J	R307	NRSA63J-273X	MG RESISTOR	27kΩ 1/16W J	
C711	QEKJ0JM-476Z	E CAPACITOR	47uF 6.3V M		R309	NRS181J-100X	MG RESISTOR	10Ω 1/8W J	
C712	NCB31HK-103X	C CAPACITOR	0.01uF 50V K		R310	NRSA63J-472X	MG RESISTOR	4.7kΩ 1/16W J	
C714	NCB31CK-104X	C CAPACITOR	0.1uF 16V K		R341	NRSA63J-0R0X	MG RESISTOR	0Ω 1/16W J	
C715	NCB31CK-104X	C CAPACITOR	0.1uF 16V K		R342	NRSA63J-821X	MG RESISTOR	820Ω 1/16W J	
C717	NDC31HJ-821X	C CAPACITOR	820pF 50V J		R343	NRSA02J-101X	MG RESISTOR	100Ω 1/10W J	
C718	NCB31CK-104X	C CAPACITOR	0.1uF 16V K		R344	NRSA63J-473X	MG RESISTOR	47kΩ 1/16W J	
C719	QERF1AM-107Z	E CAPACITOR	100uF 10V M		R351	NRSA63J-0R0X	MG RESISTOR	0Ω 1/16W J	
C720	NDC31HJ-820X	C CAPACITOR	82pF 50V J		R352	NRSA63J-821X	MG RESISTOR	820Ω 1/16W J	
C721	NCB31CK-104X	C CAPACITOR	0.1uF 16V K		R353	NRSA02J-101X	MG RESISTOR	100Ω 1/10W J	
C722	QERF1EM-475Z	E CAPACITOR	4.7uF 25V M		R354	NRSA63J-473X	MG RESISTOR	47kΩ 1/16W J	
C726	NDC31HJ-391X	C CAPACITOR	390pF 50V J		R389	NRSA63J-0R0X	MG RESISTOR	0Ω 1/16W J	
C727	NDC31HJ-391X	C CAPACITOR	390pF 50V J		R390	NRSA63J-0R0X	MG RESISTOR	0Ω 1/16W J	
C728	NCB31CK-224X	C CAPACITOR	0.22uF 16V K		R583	NRSA63J-153X	MG RESISTOR	15kΩ 1/16W J	
C729	NCB31HK-392X	C CAPACITOR	1000pF 50V K	R400J,R501E	R584	NRSA63J-153X	MG RESISTOR	15kΩ 1/16W J	
C729	NCB31HK-102X	C CAPACITOR	1000pF 50V K	R501EX,R501EY,R501EU	R585	NRSA63J-562X	MG RESISTOR	5.6kΩ 1/16W J	
C730	NCB31HK-392X	C CAPACITOR	1000pF 50V K	R400J,R501E	R586	NRSA63J-562X	MG RESISTOR	5.6kΩ 1/16W J	
C730	NCB31HK-102X	C CAPACITOR	1000pF 50V K	R501EX,R501EY,R501EU	R587	NRSA63J-273X	MG RESISTOR	27kΩ 1/16W J	
C731	NCB31CK-224X	C CAPACITOR	0.22uF 16V K		R588	NRSA63J-273X	MG RESISTOR	27kΩ 1/16W J	
C771	NCB31CK-473X	C CAPACITOR	0.047uF 16V K		R591	NRSA63J-103X	MG RESISTOR	10kΩ 1/16W J	
C781	QEKJ0JM-107Z	E CAPACITOR	100uF 6.3V M		R592	NRSA63J-103X	MG RESISTOR	10kΩ 1/16W J	
C784	QEKJ1CM-107Z	E CAPACITOR	100uF 16V M		R593	NRS181J-223X	MG RESISTOR	22kΩ 1/8W J	
C891	NCB31CK-104X	C CAPACITOR	0.1uF 16V K	R501E,R501EX,R501EY,R501EU	R594	NRSA63J-223X	MG RESISTOR	22kΩ 1/16W J	
C901	QEZ0870-278	E CAPACITOR	2700uF		R701	NRSA63J-103X	MG RESISTOR	10kΩ 1/16W J	
C902	QERF1HM-225Z	E CAPACITOR	2.2uF 50V M		R702	NRSA63J-103X	MG RESISTOR	10kΩ 1/16W J	
C903	QEKJ1CM-107Z	E CAPACITOR	100uF 16V M		R703	NRSA63J-104X	MG RESISTOR	100kΩ 1/16W J	
C905	QEKJ1CM-476Z	E CAPACITOR	47uF 16V M		R704	NRSA63J-104X	MG RESISTOR	100kΩ 1/16W J	
C906	NCB31HK-103X	C CAPACITOR	0.01uF 50V K		R708	NRSA63J-104X	MG RESISTOR	100kΩ 1/16W J	
C907	QERF1AM-227Z	E CAPACITOR	220uF 10V M		R711	NRSA63J-473X	MG RESISTOR	47kΩ 1/16W J	
C908	QERF1AM-227Z	E CAPACITOR	220uF 10V M		R712	NRSA63J-331X	MG RESISTOR	330Ω 1/16W J	
C909	QERF0JM-337Z	E CAPACITOR	330uF 6.3V M		R714	NRSA63J-0R0X	MG RESISTOR	0Ω 1/16W J	
C910	QEKJ1EM-106Z	E CAPACITOR	10uF 25V M		R720	NRSA63J-102X	MG RESISTOR	1kΩ 1/16W J	
C911	NCB31CK-104X	C CAPACITOR	0.1uF 16V K		R724	NRSA63J-102X	MG RESISTOR	1kΩ 1/16W J	
C912	NCB31HK-103X	C CAPACITOR	0.01uF 50V K						
C913	QERF1CM-106Z	E CAPACITOR	10uF 16V M						
C914	QEKJ1CM-107Z	E CAPACITOR	100uF 16V M						
C915	NCB31CK-104X	C CAPACITOR	0.1uF 16V K						
C916	NCB31HK-103X	C CAPACITOR	0.01uF 50V K						
C917	QERF0JM-337Z	E CAPACITOR	330uF 6.3V M						
C928	NCB31HK-472X	C CAPACITOR	4700pF 50V K						
C931	QEZ0595-477Z	E CAPACITOR	470uF 25V M						
C932	QBZ0006-337Z	TA E CAPACITOR	330uF						
C933	NCB31HK-152X	C CAPACITOR	1500pF 50V K						

△ Symbol No.	Part No.	Part Name	Description	Local
R725	NRSA63J-102X	MG RESISTOR	1kΩ 1/16W J	
R726	NRSA63J-273X	MG RESISTOR	27kΩ 1/16W J	
R727	NRSA63J-122X	MG RESISTOR	1.2kΩ 1/16W J	
R728	NRSA63J-102X	MG RESISTOR	1kΩ 1/16W J	
R730	NRSA63J-102X	MG RESISTOR	1kΩ 1/16W J	
R731	NRSA63J-101X	MG RESISTOR	100Ω 1/16W J	
R732	NRSA63J-103X	MG RESISTOR	10kΩ 1/16W J	
R733	NRSA63J-103X	MG RESISTOR	10kΩ 1/16W J	
R734	NRSA63J-471X	MG RESISTOR	470Ω 1/16W J	
R736	NRSA63J-222X	MG RESISTOR	2.2kΩ 1/16W J	
R737	NRSA63J-222X	MG RESISTOR	2.2kΩ 1/16W J	
R738	NRSA63J-222X	MG RESISTOR	2.2kΩ 1/16W J	
R739	NRSA63J-101X	MG RESISTOR	100Ω 1/16W J	
R740	NRSA63J-222X	MG RESISTOR	2.2kΩ 1/16W J	
R741	NRSA63J-101X	MG RESISTOR	100Ω 1/16W J	
R742	NRSA63J-101X	MG RESISTOR	100Ω 1/16W J	
R743	NRSA63J-101X	MG RESISTOR	100Ω 1/16W J	R501E,R501 EX,R501EY,R 501EU
R744	NRSA63J-101X	MG RESISTOR	100Ω 1/16W J	
R745	NRSA63J-271X	MG RESISTOR	270Ω 1/16W J	R501E,R501 EX,R501EY,R 501EU
R746	NRSA63J-104X	MG RESISTOR	100kΩ 1/16W J	
R747	NRSA63J-103X	MG RESISTOR	10kΩ 1/16W J	
R748	NRSA63J-122X	MG RESISTOR	1.2kΩ 1/16W J	
R749	NRSA63J-102X	MG RESISTOR	1kΩ 1/16W J	
R750	NRS181J-104X	MG RESISTOR	100kΩ 1/8W J	
R752	NRSA63J-472X	MG RESISTOR	4.7kΩ 1/16W J	
R753	NRSA63J-472X	MG RESISTOR	4.7kΩ 1/16W J	
R755	NRSA63J-472X	MG RESISTOR	4.7kΩ 1/16W J	
R756	NRSA63J-472X	MG RESISTOR	4.7kΩ 1/16W J	
R757	NRSA63J-122X	MG RESISTOR	1.2kΩ 1/16W J	
R758	NRSA63J-473X	MG RESISTOR	47kΩ 1/16W J	
R760	NRSA63J-122X	MG RESISTOR	1.2kΩ 1/16W J	
R761	NRSA63J-122X	MG RESISTOR	1.2kΩ 1/16W J	
R762	NRSA63J-122X	MG RESISTOR	1.2kΩ 1/16W J	
R763	NRSA63J-823X	MG RESISTOR	82kΩ 1/16W J	
R764	NRSA63J-823X	MG RESISTOR	82kΩ 1/16W J	
R765	NRSA63J-472X	MG RESISTOR	4.7kΩ 1/16W J	
R766	NRS181J-472X	MG RESISTOR	4.7kΩ 1/8W J	
R767	NRSA63J-473X	MG RESISTOR	47kΩ 1/16W J	
R768	NRSA63J-472X	MG RESISTOR	4.7kΩ 1/16W J	
R770	NRSA63J-222X	MG RESISTOR	2.2kΩ 1/16W J	R400J
R771	NRSA63J-271X	MG RESISTOR	270Ω 1/16W J	
R772	NRSA63J-271X	MG RESISTOR	270Ω 1/16W J	
R773	NRSA63J-223X	MG RESISTOR	22kΩ 1/16W J	R400J
R774	NRSA63J-473X	MG RESISTOR	47kΩ 1/16W J	
R775	NRSA63J-222X	MG RESISTOR	2.2kΩ 1/16W J	
R777	NRSA63J-103X	MG RESISTOR	10kΩ 1/16W J	
R779	NRSA63J-101X	MG RESISTOR	100Ω 1/16W J	
R781	NRSA63J-473X	MG RESISTOR	47kΩ 1/16W J	
R782	NRSA63J-472X	MG RESISTOR	4.7kΩ 1/16W J	
R783	NRSA63J-103X	MG RESISTOR	10kΩ 1/16W J	
R784	NRSA63J-0R0X	MG RESISTOR	0Ω 1/16W J	
R891	NRSA63J-102X	MG RESISTOR	1kΩ 1/16W J	R501E,R501 EX,R501EY,R 501EU
R892	NRSA63J-473X	MG RESISTOR	47kΩ 1/16W J	R501E,R501 EX,R501EY,R 501EU
R901	QRE142J-102X	C RESISTOR	1kΩ 1/4W J	
R902	NRS181J-912X	MG RESISTOR	9.1kΩ 1/8W J	
R903	NRSA02J-472X	MG RESISTOR	4.7kΩ 1/10W J	
R928	NRSA63J-753X	MG RESISTOR	75kΩ 1/16W J	
R929	NRSA63J-513X	MG RESISTOR	51kΩ 1/16W J	
R930	NRS181J-0R0X	MG RESISTOR	0Ω 1/8W J	
R937	NRS181J-221X	MG RESISTOR	220Ω 1/8W J	
R939	NRSA63J-153X	MG RESISTOR	15kΩ 1/16W J	
R940	NRSA63J-823X	MG RESISTOR	82kΩ 1/16W J	
R971	NRS181J-222X	MG RESISTOR	2.2kΩ 1/8W J	
R972	NRS181J-222X	MG RESISTOR	2.2kΩ 1/8W J	
R976	NRSA02J-273X	MG RESISTOR	27kΩ 1/10W J	
R977	NRSA02J-123X	MG RESISTOR	12kΩ 1/10W J	
L1	NQL093K-R47X	COIL	0.47uH K	
L3	QQL213M-R22Z	COIL	0.22uH M	
L4	QQR1813-001	COIL		
L5	QQL244J-561Z	COIL	560uH J	

△ Symbol No.	Part No.	Part Name	Description	Local
L6	QQL244J-561Z	COIL	560uH J	
L7	QQL244J-4R7Z	P COIL	4.7uH J	
L8	QQL244J-4R7Z	P COIL	4.7uH J	
L701	QQL244J-4R7Z	P COIL	4.7uH J	
L702	QQL244J-4R7Z	P COIL	4.7uH J	
△ L901	QQR1852-001	CHOKO COIL		
△ L901 or	QQR0703-001	CHOKO COIL		
L931	QQL92AK-330Z	COIL	33uH K	
L932	NQR0007-002X	FERRITE BEADS		
L933	NQLH25M-4R7X	COIL	4.7uH M	
CN501	QGB2027ME-28	CONNECTOR	B-B (1-28)	
CN701	QGZ1101J1-24	CONNECTOR	(1-24)	
CN703	QNS0283-001	STEERING REMOTE		R400J
CN901	QNZ0607-001	CAR CONNECTOR		
J1	QNB0190-001	ANT TERMINAL		
J321	QNN0802-001	PIN JACK		
S701	QSW0648-001Z	TACT SWITCH		
X1	QAX0928-001Z	CRYSTAL		R501E,R501 EX,R501EY,R 501EU
X71	QAX0926-001Z	CRYSTAL		
X701	QAX0667-001Z	C RESONATOR	8.000MHz	
X702	QAX0401-001	CRYSTAL	32.768KHz	

Main board (Except R400 & R501)

Block No. [0][2]

△ Symbol No.	Part No.	Part Name	Description	Local
△ IC1	TEF6606T/V3-X	IC1		
△ IC71	LC72725KM-X	IC		R401E,R401EX ,R401EY,R401E U,R402EY,R407 EE
IC161	TDA7718-X	IC		
△ IC301	TB2926CHQ	IC		
IC401	TPS2051BD-X	IC		
IC581	NJM4565E-X	IC		
△ IC701	MN101EF16KXW1E	IC (PROGRAMMED)		R401E,R401EX ,R401EY,R401E U,R402EY,R407 EE
△ IC701	MN101EF16KXW1D	IC (PROGRAMMED)		R504UI,R505U, R505UN,R505U T,R505UH,R506 U,R506UN,R50 6UT,R506UH,R 508UF
IC702	S-80824CNNB-G-W	IC		
IC702 or	IC-PST3424U-X	IC		
IC771	S-24CS16A0I-G-X	IC		R401E,R401EX ,R401EY,R401E U,R402EY,R407 EE
IC771	S-24CS04AFJ-G-X	IC		R504UI,R505U, R505UN,R505U T,R505UH,R506 U,R506UN,R50 6UT,R506UH,R 508UF
△ IC901	AN34002A	REGULATOR IC		
△ IC931	BD9007HFP-W	IC		
Q331	IMH23-X	TRANSISTOR		
Q781	RT1P141C-X	DIGI TRANSISTOR		
Q781 or	UN2111-X	TRANSISTOR		
Q782	2SC3928A/QR/-X	TRANSISTOR		
Q782 or	2SC5845-X	TRANSISTOR		
Q784	RT1P141C-X	DIGI TRANSISTOR		
Q784 or	UN2111-X	TRANSISTOR		
Q891	RT1N141C-X	DIGI TRANSISTOR		R401E,R401EX ,R401EY,R401E U,R402EY,R407 EE

△ Symbol No.	Part No.	Part Name	Description	Local	△ Symbol No.	Part No.	Part Name	Description	Local
Q891	or UN2211-X	TRANSISTOR		R401E,R401EX ,R401EY,R401E U,R402EY,R407 EE	D891	or MA152WA-X	DIODE		R401E,R401EX ,R401EY,R401E U,R402EY,R407 EE
Q976	RT1N141C-X	DIGI TRANSISTOR			△ D901	1N5401-F64	SI DIODE		
Q976	or UN2211-X	TRANSISTOR			△ D901	or 1N5401-TU-15	SI DIODE		
Q977	ISA1530AC1/QR/X	TRANSISTOR			D902	GS1J-X	DIODE		R401E,R401EX ,R401EY,R401E U,R402EY,R407 EE
Q977	or 2SA2077-X	TRANSISTOR							
Q978	2SC3928A/QR/-X	TRANSISTOR							
Q978	or 2SC5845-X	TRANSISTOR							
D1	MA111-X	SI DIODE			D931	RSX201L-30-X	SB DIODE		
D1	or 1SS355W-X	DIODE			D971	MA22D23-X	SB DIODE		
D2	MA111-X	SI DIODE			D971	or CRS03-W	SB DIODE		
D2	or 1SS355W-X	DIODE			D971	or RB160M-30-X	SB DIODE		
D331	MC2836-X	DIODE			D972	MA22D23-X	SB DIODE		
D331	or MA152WA-X	DIODE			D972	or RB160M-30-X	SB DIODE		
D712	MA111-X	SI DIODE			D972	or CRS03-W	SB DIODE		
D712	or 1SS355W-X	DIODE							
D713	MA8056/M/-X	Z DIODE			C1	NCB31HK-102X	C CAPACITOR	1000pF 50V K	
D713	or UDZW5.6B-X	Z DIODE			C2	NDC31HJ-5R6X	C CAPACITOR	5.6pF 50V J	
D715	MA8062/M/-X	Z DIODE			C3	NCB31HK-102X	C CAPACITOR	1000pF 50V K	
D715	or UDZW6.2B-X	Z DIODE			C4	NCB31AK-224X	C CAPACITOR	0.22uF 10V K	
D716	MA8062/M/-X	Z DIODE			C5	NDC31HJ-150X	C CAPACITOR	15pF 50V J	
D716	or UDZW6.2B-X	Z DIODE			C6	NDC31HJ-220X	C CAPACITOR	22pF 50V J	
D717	MA8062/M/-X	Z DIODE			C10	NCB21AK-105X	C CAPACITOR	1uF 10V K	
D717	or UDZW6.2B-X	Z DIODE			C11	NCB31HK-103X	C CAPACITOR	0.01uF 50V K	
D718	MA8062/M/-X	Z DIODE			C12	NCB31HK-103X	C CAPACITOR	0.01uF 50V K	
D718	or UDZW6.2B-X	Z DIODE			C13	NCB21AK-105X	C CAPACITOR	1uF 10V K	
D719	MA8051/M/-X	Z DIODE			C14	NCB31AK-224X	C CAPACITOR	0.22uF 10V K	
D719	or UDZW5.1B-X	SB DIODE			C15	NCB31CK-104X	C CAPACITOR	0.1uF 16V K	
D720	MA8051/M/-X	Z DIODE			C16	NCB31HK-103X	C CAPACITOR	0.01uF 50V K	
D720	or UDZW5.1B-X	SB DIODE			C17	NCB31CK-104X	C CAPACITOR	0.1uF 16V K	
D781	MA111-X	SI DIODE			C18	NCB31HK-103X	C CAPACITOR	0.01uF 50V K	
D781	or 1SS355W-X	DIODE			C19	NCB31CK-104X	C CAPACITOR	0.1uF 16V K	
D782	MA111-X	SI DIODE			C22	NDC31HJ-150X	C CAPACITOR	15pF 50V J	
D782	or 1SS355W-X	DIODE			C23	NCB31CK-104X	C CAPACITOR	0.1uF 16V K	
D784	MA8110/M/-X	Z DIODE			C24	NCB31HK-103X	C CAPACITOR	0.01uF 50V K	
D784	or UDZW11B-X	Z DIODE			C25	NCB31HK-103X	C CAPACITOR	0.01uF 50V K	
D785	MA111-X	SI DIODE			C26	QEKJ1CM-107Z	E CAPACITOR	100uF 16V M	
D785	or 1SS355W-X	DIODE			C27	QEKJ1EM-106Z	E CAPACITOR	10uF 25V M	
D851	MA22D23-X	SB DIODE		R504UI,R505U, R505UN,R505U T,R505UH,R506 U,R506UN,R50 6UT,R506UH,R 508UF	C71	NDC31HJ-561X	C CAPACITOR	560pF 50V J	R401E,R401EX ,R401EY,R401E U,R402EY,R407 EE
D851	or CRS03-W	SB DIODE		R504UI,R505U, R505UN,R505U T,R505UH,R506 U,R506UN,R50 6UT,R506UH,R 508UF	C72	NDC31HJ-331X	C CAPACITOR	330pF 50V J	R401E,R401EX ,R401EY,R401E U,R402EY,R407 EE
D851	or RB160M-30-X	SB DIODE		R504UI,R505U, R505UN,R505U T,R505UH,R506 U,R506UN,R50 6UT,R506UH,R 508UF	C73	QEKJ1EM-106Z	E CAPACITOR	10uF 25V M	R401E,R401EX ,R401EY,R401E U,R402EY,R407 EE
D852	MA22D23-X	SB DIODE		R504UI,R505U, R505UN,R505U T,R505UH,R506 U,R506UN,R50 6UT,R506UH,R 508UF	C74	NDC31HJ-330X	C CAPACITOR	33pF 50V J	R401E,R401EX ,R401EY,R401E U,R402EY,R407 EE
D852	or RB160M-30-X	SB DIODE		R504UI,R505U, R505UN,R505U T,R505UH,R506 U,R506UN,R50 6UT,R506UH,R 508UF	C75	NDC31HJ-330X	C CAPACITOR	33pF 50V J	R401E,R401EX ,R401EY,R401E U,R402EY,R407 EE
D852	or CRS03-W	SB DIODE		R504UI,R505U, R505UN,R505U T,R505UH,R506 U,R506UN,R50 6UT,R506UH,R 508UF	C76	NCB31HK-103X	C CAPACITOR	0.01uF 50V K	R401E,R401EX ,R401EY,R401E U,R402EY,R407 EE
D891	MC2836-X	DIODE		R401E,R401EX ,R401EY,R401E U,R402EY,R407 EE	C77	QEKJ0JM-476Z	E CAPACITOR	47uF 6.3V M	R401E,R401EX ,R401EY,R401E U,R402EY,R407 EE
					C78	NDC31HJ-821X	C CAPACITOR	820pF 50V J	R401E,R401EX ,R401EY,R401E U,R402EY,R407 EE
					C161	NCB31AK-105X	C CAPACITOR	1uF 10V K	
					C163	QTE1H64-225Z	E CAPACITOR	2.2uF 50V	
					C164	NCB31AK-105X	C CAPACITOR	1uF 10V K	
					C165	NCB31AK-105X	C CAPACITOR	1uF 10V K	
					C171	NCB31AK-105X	C CAPACITOR	1uF 10V K	
					C173	QTE1H64-225Z	E CAPACITOR	2.2uF 50V	
					C174	NCB31AK-105X	C CAPACITOR	1uF 10V K	
					C177	NCB31AK-224X	C CAPACITOR	0.22uF 10V K	
					C178	QTE1C57-106Z	E CAPACITOR	10uF 16V	
					C184	NCB31CK-104X	C CAPACITOR	0.1uF 16V K	

△ Symbol No.	Part No.	Part Name	Description	Local	△ Symbol No.	Part No.	Part Name	Description	Local
C301	QFV91HJ-474Z	MF CAPACITOR	0.47uF 50V J		C852	NCB31CK-224X	C CAPACITOR	0.22uF 16V K	R504UI,R505U, R505UN,R505U T,R505UH,R506 U,R506UN,R50 6UT,R506UH,R 508UF
C302	QFV91HJ-474Z	MF CAPACITOR	0.47uF 50V J						
C303	NDC31HJ-101X	C CAPACITOR	100pF 50V J						
C304	NDC31HJ-101X	C CAPACITOR	100pF 50V J						
C311	QFV91HJ-474Z	MF CAPACITOR	0.47uF 50V J						
C312	QFV91HJ-474Z	MF CAPACITOR	0.47uF 50V J		C891	NCB31CK-104X	C CAPACITOR	0.1uF 16V K	R401E,R401EX ,R401EY,R401E U,R402EY,R407 EE
C313	NDC31HJ-101X	C CAPACITOR	100pF 50V J						
C314	NDC31HJ-101X	C CAPACITOR	100pF 50V J						
C315	QEKJ1HM-225Z	E CAPACITOR	2.2uF 50V M						
C316	QEKJ1HM-475Z	E CAPACITOR	4.7uF 50V M		C901	QEZ0870-278	E CAPACITOR	2700uF	
C317	QTE1C57-476Z	E CAPACITOR	47uF 16V		C902	QERF1HM-225Z	E CAPACITOR	2.2uF 50V M	
C318	NCB21AK-225X-A	C CAPACITOR	2.2uF 10V K		C903	QEKJ1CM-107Z	E CAPACITOR	100uF 16V M	
C319	NCB31EK-223X	C CAPACITOR	0.022uF 25V K		C905	QEKJ1CM-476Z	E CAPACITOR	47uF 16V M	
C320	NCB31EK-223X	C CAPACITOR	0.022uF 25V K		C906	NCB31HK-103X	C CAPACITOR	0.01uF 50V K	
C326	QEKJ1CM-226Z	E CAPACITOR	22uF 16V M		C907	QERF1AM-227Z	E CAPACITOR	220uF 10V M	
C381	QEKJ1HM-475Z	E CAPACITOR	4.7uF 50V M		C908	QERF1AM-227Z	E CAPACITOR	220uF 10V M	
C382	QEKJ1HM-475Z	E CAPACITOR	4.7uF 50V M		C909	QERF0JM-337Z	E CAPACITOR	330uF 6.3V M	
C417	NCJ11EK-106X-R	C CAPACITOR	10uF 25V		C910	QEKJ1EM-106Z	E CAPACITOR	10uF 25V M	
C418	NDC31HJ-220X	C CAPACITOR	22pF 50V J		C911	NCB31CK-104X	C CAPACITOR	0.1uF 16V K	
C419	NDC31HJ-220X	C CAPACITOR	22pF 50V J		C912	NCB31HK-103X	C CAPACITOR	0.01uF 50V K	
C583	NDC31HJ-821X	C CAPACITOR	820pF 50V J		C913	QERF1CM-106Z	E CAPACITOR	10uF 16V M	
C584	NDC31HJ-821X	C CAPACITOR	820pF 50V J		C914	QEKJ1CM-107Z	E CAPACITOR	100uF 16V M	
C585	QTE1H57-225Z	E CAPACITOR	2.2uF 50V		C915	NCB31CK-104X	C CAPACITOR	0.1uF 16V K	
C586	QTE1H57-225Z	E CAPACITOR	2.2uF 50V		C916	NCB31HK-103X	C CAPACITOR	0.01uF 50V K	
C587	NDC31HJ-151X	C CAPACITOR	150pF 50V J		C917	QERF0JM-337Z	E CAPACITOR	330uF 6.3V M	
C588	NDC31HJ-151X	C CAPACITOR	150pF 50V J		C928	NCB31HK-472X	C CAPACITOR	4700pF 50V K	
C590	QTE0J57-476Z	E CAPACITOR	47uF 6.3V		C931	QEZ0595-477Z	E CAPACITOR	470uF 25V M	
C591	QTE1A57-107Z	E CAPACITOR	100uF 10V		C932	QEZ0006-337Z	TA E CAPACITOR	330uF	
C592	NCB31AK-104X	C CAPACITOR	0.1uF 10V K		C933	NCB31HK-152X	C CAPACITOR	1500pF 50V K	
C703	NDC31HJ-270X	C CAPACITOR	27pF 50V J		C937	NCB21AK-475X	C CAPACITOR	4.7uF 10V K	
C704	NDC31HJ-270X	C CAPACITOR	27pF 50V J		C938	NCJ21CK-225X-R	C CAPACITOR	2.2uF 16V K	
C705	NCB31EK-103X	C CAPACITOR	0.01uF 25V K		C940	NDC31HJ-180X	C CAPACITOR	18pF 50V J	
C706	NCB31EK-103X	C CAPACITOR	0.01uF 25V K		C971	NCB31EK-104X	C CAPACITOR	0.1uF 25V K	
C707	QEKJ1CM-107Z	E CAPACITOR	100uF 16V M		C990	NCB31HK-182X	C CAPACITOR	1800pF 50V K	
C708	NCB31CK-104X	C CAPACITOR	0.1uF 16V K		C992	NDC31HJ-101X	C CAPACITOR	100pF 50V J	
C709	NCB31CK-104X	C CAPACITOR	0.1uF 16V K						
C711	QEKJ0JM-476Z	E CAPACITOR	47uF 6.3V M		R2	NRSA63J-824X	MG RESISTOR	820kΩ 1/16W J	
C712	NCB31HK-103X	C CAPACITOR	0.01uF 50V K		R3	NRSA63J-0R0X	MG RESISTOR	0Ω 1/16W J	
C714	NCB31CK-104X	C CAPACITOR	0.1uF 16V K		R4	NRSA63J-472X	MG RESISTOR	4.7kΩ 1/16W J	
C715	NCB31CK-104X	C CAPACITOR	0.1uF 16V K		R5	NRS181J-220X	MG RESISTOR	22Ω 1/8W J	
C717	NDC31HJ-821X	C CAPACITOR	820pF 50V J		R6	NRSA63J-101X	MG RESISTOR	100Ω 1/16W J	
C718	NCB31CK-104X	C CAPACITOR	0.1uF 16V K		R7	NRSA63J-101X	MG RESISTOR	100Ω 1/16W J	
C719	QERF1AM-107Z	E CAPACITOR	100uF 10V M		R10	NRSA63J-0R0X	MG RESISTOR	0Ω 1/16W J	
C720	NDC31HJ-820X	C CAPACITOR	82pF 50V J		R11	NRS181J-4R7X	MG RESISTOR	4.7Ω 1/8W J	
C721	NCB31CK-104X	C CAPACITOR	0.1uF 16V K		R12	NRZ0084-0R0X	MG RESISTOR	0Ω	R401E,R401EX ,R401EY,R401E U,R402EY,R407 EE
C722	QERF1EM-475Z	E CAPACITOR	4.7uF 25V M						
C726	NDC31HJ-391X	C CAPACITOR	390pF 50V J		R14	NRSA63J-472X	MG RESISTOR	4.7kΩ 1/16W J	
C727	NDC31HJ-391X	C CAPACITOR	390pF 50V J		R15	NRSA63J-472X	MG RESISTOR	4.7kΩ 1/16W J	
C728	NCB31CK-224X	C CAPACITOR	0.22uF 16V K		R71	NRSA63J-0R0X	MG RESISTOR	0Ω 1/16W J	R401E,R401EX ,R401EY,R401E U,R402EY,R407 EE
C729	NCB31HK-392X	C CAPACITOR	1000pF 50V K	R401E,R402EY, R407EE,R504U I,R505U,R506U ,R508UF					
C729	NCB31HK-102X	C CAPACITOR	1000pF 50V K	R401EX,R401E Y,R401EU,R505 UN,R505UT,R5 05UH,R506UN, R506UT,R506U H	R72	NRSA63J-222X	MG RESISTOR	2.2kΩ 1/16W J	R401E,R401EX ,R401EY,R401E U,R402EY,R407 EE
C730	NCB31HK-392X	C CAPACITOR	1000pF 50V K	R401E,R402EY, R407EE,R504U I,R505U,R506U ,R508UF	R73	NRSA63J-222X	MG RESISTOR	2.2kΩ 1/16W J	R401E,R401EX ,R401EY,R401E U,R402EY,R407 EE
C730	NCB31HK-102X	C CAPACITOR	1000pF 50V K	R401EX,R401E Y,R401EU,R505 UN,R505UT,R5 05UH,R506UN, R506UT,R506U H	R74	NRSA02J-101X	MG RESISTOR	100Ω 1/10W J	R401E,R401EX ,R401EY,R401E U,R402EY,R407 EE
C731	NCB31CK-224X	C CAPACITOR	0.22uF 16V K		R81	NRSA63J-682X	MG RESISTOR	6.8kΩ 1/16W J	
C771	NCB31CK-473X	C CAPACITOR	0.047uF 16V K		R82	NRSA63J-822X	MG RESISTOR	8.2kΩ 1/16W J	
C781	QEKJ0JM-107Z	E CAPACITOR	100uF 6.3V M		R91	NRSA63J-682X	MG RESISTOR	6.8kΩ 1/16W J	
C784	QEKJ1CM-107Z	E CAPACITOR	100uF 16V M		R92	NRSA63J-822X	MG RESISTOR	8.2kΩ 1/16W J	
C851	QEKJ1EM-106Z	E CAPACITOR	10uF 25V M	R504UI,R505U, R505UN,R505U T,R505UH,R506 U,R506UN,R50 6UT,R506UH,R 508UF	R161	NRSA63J-472X	MG RESISTOR	4.7kΩ 1/16W J	
					R162	NRSA63J-472X	MG RESISTOR	4.7kΩ 1/16W J	
					R171	NRSA63J-101X	MG RESISTOR	100Ω 1/16W J	
					R172	NRSA63J-101X	MG RESISTOR	100Ω 1/16W J	
					R305	NRSA63J-102X	MG RESISTOR	1kΩ 1/16W J	
					R307	NRSA63J-273X	MG RESISTOR	27kΩ 1/16W J	
					R309	NRS181J-100X	MG RESISTOR	10Ω 1/8W J	
					R310	NRSA63J-472X	MG RESISTOR	4.7kΩ 1/16W J	
					R341	NRSA63J-0R0X	MG RESISTOR	0Ω 1/16W J	
					R342	NRSA63J-821X	MG RESISTOR	820Ω 1/16W J	

Switch board (For R400 & R501)

Block No. [0][3]

Symbol No.	Part No.	Part Name	Description	Local
IC601	NCP5623DTBR2G IC-X			
IC661	PTC6526LQ-L	IC		
IC681	NJL29H380A	REMOCON RCV		
Q601	2SC1623A/5-6/-X	TRANSISTOR		
Q601	or 2SC3928A/QR/-X	TRANSISTOR		
Q602	UNR9211G-X	TRANSISTOR		
Q602	or DTC114EEB-X	TRANSISTOR		
Q604	2SA2174G-X	TRANSISTOR		
Q604	or 2SA1774/QR/-X	TRANSISTOR		
Q605	UN2222-X	IC		
Q605	or DTD143EK-X	TRANSISTOR		
Q607	2SA2174G-X	TRANSISTOR		
Q607	or 2SA1774/QR/-X	TRANSISTOR		
Q608	UN2222-X	IC		
Q608	or DTD143EK-X	TRANSISTOR		
Q610	2SA2174G-X	TRANSISTOR		
Q610	or 2SA1774/QR/-X	TRANSISTOR		
Q611	UN2222-X	IC		
Q611	or DTD143EK-X	TRANSISTOR		
D601	NSSM065T-X	LED		
D602	NSSM065T-X	LED		
D604	NSSM065T-X	LED		
D605	NSSM065T-X	LED		
D616	MA8051M/-X	Z DIODE		
D616	or UDZW5.1B-X	SB DIODE		
D617	MA8051M/-X	Z DIODE		
D617	or UDZW5.1B-X	SB DIODE		
D630	LHQ974/LM/-X	LED		
D631	LHQ974/LM/-X	LED		
D632	LHQ974/LM/-X	LED		
D650	MA8056M/-X	Z DIODE		
D650	or UDZW5.6B-X	Z DIODE		
D661	MA111-X	SI DIODE		
D661	or 1SS355W-X	DIODE		
C603	NCB31CK-104X	C CAPACITOR	0.1uF 16V K	
C604	NCB31CK-105X	C CAPACITOR	1uF 16V K	
C650	NCB31CK-104X	C CAPACITOR	0.1uF 16V K	
C651	NBE21CM-106X	TA E CAPACITOR	10uF 16V M	
C655	NCJ11EK-106X-R	C CAPACITOR	10uF 25V	
C661	NCB31CK-105X	C CAPACITOR	1uF 16V K	
C662	NDC31HJ-151X	C CAPACITOR	150pF 50V J	
C663	NCB31CK-223X	C CAPACITOR	0.022uF 16V K	
C665	NCB31CK-104X	C CAPACITOR	0.1uF 16V K	
C666	NCB31CK-104X	C CAPACITOR	0.1uF 16V K	
C682	NCB31EK-104X	C CAPACITOR	0.1uF 25V K	
C684	NCB31HK-472X	C CAPACITOR	4700pF 50V K	
C685	NCB31HK-472X	C CAPACITOR	4700pF 50V K	
C687	NDC31HJ-821X	C CAPACITOR	820pF 50V J	
R601	NRSA63J-821X	MG RESISTOR	820Ω 1/16W J	
R602	NRSA63J-821X	MG RESISTOR	820Ω 1/16W J	
R603	NRSA63J-122X	MG RESISTOR	1.2kΩ 1/16W J	
R604	NRSA63J-182X	MG RESISTOR	1.8kΩ 1/16W J	
R605	NRSA63J-272X	MG RESISTOR	2.7kΩ 1/16W J	
R607	NRSA63J-392X	MG RESISTOR	3.9kΩ 1/16W J	
R608	NRSA63J-821X	MG RESISTOR	820Ω 1/16W J	
R609	NRSA63J-821X	MG RESISTOR	820Ω 1/16W J	
R610	NRSA63J-122X	MG RESISTOR	1.2kΩ 1/16W J	
R611	NRSA63J-182X	MG RESISTOR	1.8kΩ 1/16W J	
R612	NRSA63J-272X	MG RESISTOR	2.7kΩ 1/16W J	
R613	NRSA63J-103X	MG RESISTOR	10kΩ 1/16W J	
R614	NRSA63F-154X	MG RESISTOR	150kΩ 1/16W F	
R615	NRSA63J-101X	MG RESISTOR	100Ω 1/16W J	
R618	NRSA63J-101X	MG RESISTOR	100Ω 1/16W J	
R630	NRSA63J-271X	MG RESISTOR	270Ω 1/16W J	
R631	NRSA63J-471X	MG RESISTOR	470Ω 1/16W J	
R634	NRSA63J-561X	MG RESISTOR	560Ω 1/16W J	
R636	NRSA63J-222X	MG RESISTOR	2.2kΩ 1/16W J	
R637	NRSA63J-222X	MG RESISTOR	2.2kΩ 1/16W J	
R638	NRSA63J-222X	MG RESISTOR	2.2kΩ 1/16W J	

Symbol No.	Part No.	Part Name	Description	Local
R644	NRSA63J-751X	MG RESISTOR	750Ω 1/16W J	
R645	NRSA63J-751X	MG RESISTOR	750Ω 1/16W J	
R646	NRSA63J-122X	MG RESISTOR	1.2kΩ 1/16W J	
R647	NRSA63J-122X	MG RESISTOR	1.2kΩ 1/16W J	
R648	NRSA63J-122X	MG RESISTOR	1.2kΩ 1/16W J	
R649	NRSA63J-162X	MG RESISTOR	1.6kΩ 1/16W J	
R651	NRSA63J-102X	MG RESISTOR	1kΩ 1/16W J	
R656	NRS181J-471X	MG RESISTOR	470Ω 1/8W J	
R657	NRS181J-471X	MG RESISTOR	470Ω 1/8W J	
R658	NRS181J-751X	MG RESISTOR	750Ω 1/8W J	
R660	NRS181J-394X	MG RESISTOR	390kΩ 1/8W J	
R661	NRSA63J-102X	MG RESISTOR	1kΩ 1/16W J	
R662	NRSA63J-102X	MG RESISTOR	1kΩ 1/16W J	
R663	NRSA63J-102X	MG RESISTOR	1kΩ 1/16W J	
R664	NRS181J-224X	MG RESISTOR	220kΩ 1/8W J	
R665	NRSA63J-101X	MG RESISTOR	100Ω 1/16W J	
R666	NRSA63J-101X	MG RESISTOR	100Ω 1/16W J	
R667	NRSA63J-101X	MG RESISTOR	100Ω 1/16W J	
R681	NRSA63J-471X	MG RESISTOR	470Ω 1/16W J	
R682	NRSA63J-102X	MG RESISTOR	1kΩ 1/16W J	
L602	NQR0536-001X	CHOKE COIL		
L604	NRSA63J-101X	MG RESISTOR		R400J,R501E
L604	NQR0007-002X	FERRITE BEADS		R501EX,R501E Y,R501EU
L605	NQR0007-002X	FERRITE BEADS		
L606	NRSA63J-101X	MG RESISTOR		R400J,R501E
L606	NQR0007-002X	FERRITE BEADS		R501EX,R501E Y,R501EU
CJ601	QGZ1101K1-24	CONNECTOR	(1-24)	
CN603	QNZ1006-001	USB JACK		
J601	QNS0280-001	3.5 JACK		
JS686	QSW1231-002	ROTARY ENCODER		
S601	NSW0124-001X	TACT SW		
S602	NSW0316-001X	TACT SWITCH		
S603	NSW0316-001X	TACT SWITCH		
S604	NSW0316-001X	TACT SWITCH		
S605	NSW0316-001X	TACT SWITCH		
S606	NSW0316-001X	TACT SWITCH		
S607	NSW0316-001X	TACT SWITCH		
S608	NSW0316-001X	TACT SWITCH		
S609	NSW0316-001X	TACT SWITCH		
S610	NSW0316-001X	TACT SWITCH		
S611	NSW0316-001X	TACT SWITCH		

Switch board (Except R400 & R501)

Block No. [0][4]

Symbol No.	Part No.	Part Name	Description	Local
IC661	PTC6526LQ-L	IC		
IC681	NJL29H380A	REMOCON RCV		R401E,R401EX, R401EY,R401E U,R402EY,R504 UI,R505U,R505 UN,R505UT,R50 5UH,R506U,R50 6UN,R506UT,R5 06UH,R508UF
Q601	2SA1365/F/-X	TRANSISTOR		
Q602	RT1N141C-X	DIGI TRANSISTOR		
Q602	or UN2211-X	TRANSISTOR		
D630	LHQ974/LM/-X	LED		
D631	LSQ971/KL/-X	LED	GREEN/RED	R401E,R401EX, R401EY,R401E U,R402EY,R407 EE R504UI,R505U, R505UN,R505U T,R505UH,R506 U,R506UN,R506 UT,R506UH,R50 8UF
D631	LHQ974/LM/-X	LED		

△ Symbol No.	Part No.	Part Name	Description	Local	△ Symbol No.	Part No.	Part Name	Description	Local
D632	LSQ971/KL/-X	LED	GREEN/RED	R401E,R401EX, R401EY,R401E U,R402EY,R407 EE	D641	LHQ974/LM/-X	LED		R504UI,R505U, R505UN,R505U T,R505UH,R506 U,R506UN,R506 UT,R506UH,R50 8UF
D632	LHQ974/LM/-X	LED		R504UI,R505U, R505UN,R505U T,R505UH,R506 U,R506UN,R506 UT,R506UH,R50 8UF	D642	LSQ971/KL/-X	LED	GREEN/RED	R401E,R401EX, R401EY,R401E U,R402EY,R407 EE
D633	LSQ971/KL/-X	LED	GREEN/RED	R401E,R401EX, R401EY,R401E U,R402EY,R407 EE	D642	LHQ974/LM/-X	LED		R504UI,R505U, R505UN,R505U T,R505UH,R506 U,R506UN,R506 UT,R506UH,R50 8UF
D633	LHQ974/LM/-X	LED		R504UI,R505U, R505UN,R505U T,R505UH,R506 U,R506UN,R506 UT,R506UH,R50 8UF	D643	LSQ971/KL/-X	LED	GREEN/RED	R401E,R401EX, R401EY,R401E U,R402EY,R407 EE
D634	LSQ971/KL/-X	LED	GREEN/RED	R401E,R401EX, R401EY,R401E U,R402EY,R407 EE	D643	LHQ974/LM/-X	LED		R504UI,R505U, R505UN,R505U T,R505UH,R506 U,R506UN,R506 UT,R506UH,R50 8UF
D634	LHQ974/LM/-X	LED		R504UI,R505U, R505UN,R505U T,R505UH,R506 U,R506UN,R506 UT,R506UH,R50 8UF	D644	LSQ971/KL/-X	LED	GREEN/RED	R401E,R401EX, R401EY,R401E U,R402EY,R407 EE
D635	LSQ971/KL/-X	LED	GREEN/RED	R401E,R401EX, R401EY,R401E U,R402EY,R407 EE	D644	LHQ974/LM/-X	LED		R504UI,R505U, R505UN,R505U T,R505UH,R506 U,R506UN,R506 UT,R506UH,R50 8UF
D635	LHQ974/LM/-X	LED		R504UI,R505U, R505UN,R505U T,R505UH,R506 U,R506UN,R506 UT,R506UH,R50 8UF	D650	LWA6SG/56L/-X	LED		
D636	LSQ971/KL/-X	LED	GREEN/RED	R401E,R401EX, R401EY,R401E U,R402EY,R407 EE	D661	MA111-X	SI DIODE		
D636	LHQ974/LM/-X	LED		R504UI,R505U, R505UN,R505U T,R505UH,R506 U,R506UN,R506 UT,R506UH,R50 8UF	D661	or 1SS355W-X	DIODE		
D638	LSQ971/KL/-X	LED	GREEN/RED	R401E,R401EX, R401EY,R401E U,R402EY,R407 EE	D662	MA8051/M/-X	Z DIODE		
D638	LHQ974/LM/-X	LED		R504UI,R505U, R505UN,R505U T,R505UH,R506 U,R506UN,R506 UT,R506UH,R50 8UF	D662	or UDZW5.1B-X	SB DIODE		
D639	LSQ971/KL/-X	LED	GREEN/RED	R401E,R401EX, R401EY,R401E U,R402EY,R407 EE	D691	MA8051/M/-X	Z DIODE		
D639	LHQ974/LM/-X	LED		R504UI,R505U, R505UN,R505U T,R505UH,R506 U,R506UN,R506 UT,R506UH,R50 8UF	D691	or UDZW5.1B-X	SB DIODE		
D640	LSQ971/KL/-X	LED	GREEN/RED	R401E,R401EX, R401EY,R401E U,R402EY,R407 EE	D692	MA8051/M/-X	Z DIODE		
D640	LHQ974/LM/-X	LED		R504UI,R505U, R505UN,R505U T,R505UH,R506 U,R506UN,R506 UT,R506UH,R50 8UF	D692	or UDZW5.1B-X	SB DIODE		
D641	LSQ971/KL/-X	LED	GREEN/RED	R401E,R401EX, R401EY,R401E U,R402EY,R407 EE	C661	NCB21CK-105X	C CAPACITOR	1uF 16V K	
					C662	NDC31HJ-151X	C CAPACITOR	150pF 50V J	
					C663	NCB31CK-223X	C CAPACITOR	0.022uF 16V K	
					C665	NCB31CK-104X	C CAPACITOR	0.1uF 16V K	
					C666	NCB31CK-104X	C CAPACITOR	0.1uF 16V K	
					C682	NCB31EK-104X	C CAPACITOR	0.1uF 25V K	R401E,R401EX, R401EY,R401E U,R402EY,R504 UI,R505U,R505 UN,R505UT,R50 5UH,R506U,R50 6UN,R506UT,R5 06UH,R508UF
					C684	NDC31HJ-821X	C CAPACITOR	820pF 50V J	
					C687	NCB31HK-472X	C CAPACITOR	4700pF 50V K	R401E,R401EX, R401EY,R401E U,R402EY,R407 EE,R505UN,R50 5UT,R505UH,R5 06UN,R506UT,R 506UH
					C688	NCB31HK-472X	C CAPACITOR	4700pF 50V K	R401E,R401EX, R401EY,R401E U,R402EY,R407 EE,R505UN,R50 5UT,R505UH,R5 06UN,R506UT,R 506UH
					C692	NCJ11EK-106X-R	C CAPACITOR	10uF 25V	
					R601	NRSA63J-821X	MG RESISTOR	820Ω 1/16W J	
					R602	NRSA63J-821X	MG RESISTOR	820Ω 1/16W J	
					R603	NRSA63J-122X	MG RESISTOR	1.2kΩ 1/16W J	
					R604	NRSA63J-182X	MG RESISTOR	1.8kΩ 1/16W J	
					R605	NRSA63J-272X	MG RESISTOR	2.7kΩ 1/16W J	
					R607	NRSA63J-821X	MG RESISTOR	820Ω 1/16W J	
					R608	NRSA63J-821X	MG RESISTOR	820Ω 1/16W J	
					R609	NRSA63J-122X	MG RESISTOR	1.2kΩ 1/16W J	

Symbol No.	Part No.	Part Name	Description	Local
R610	NRSA63J-182X	MG RESISTOR	1.8kΩ 1/16W J	
R611	NRSA63J-272X	MG RESISTOR	2.7kΩ 1/16W J	
R612	NRSA63J-392X	MG RESISTOR	3.9kΩ 1/16W J	
R613	NRSA63J-103X	MG RESISTOR	10kΩ 1/16W J	
R630	NRSA63J-271X	MG RESISTOR	270Ω 1/16W J	
R631	NRSA02J-431X	MG RESISTOR	430Ω 1/10W J	R401E,R401EX, R401EY,R401E U,R402EY,R407 EE
R631	NRSA02J-471X	MG RESISTOR	470Ω 1/10W J	R504UI,R505U, R505UN,R505U T,R505UH,R506 U,R506UN,R506 UT,R506UH,R50 8UF
R633	NRSA63J-0R0X	MG RESISTOR	0Ω 1/16W J	
R635	NRS181J-431X	MG RESISTOR	430Ω 1/8W J	R401E,R401EX, R401EY,R401E U,R402EY,R407 EE
R635	NRS181J-471X	MG RESISTOR	470Ω 1/8W J	R504UI,R505U, R505UN,R505U T,R505UH,R506 U,R506UN,R506 UT,R506UH,R50 8UF
R636	NRSA02J-431X	MG RESISTOR	430Ω 1/10W J	R401E,R401EX, R401EY,R401E U,R402EY,R407 EE
R636	NRSA02J-471X	MG RESISTOR	470Ω 1/10W J	R504UI,R505U, R505UN,R505U T,R505UH,R506 U,R506UN,R506 UT,R506UH,R50 8UF
R639	NRS181J-561X	MG RESISTOR	560Ω 1/8W J	
R641	NRS181J-511X	MG RESISTOR	510Ω 1/8W J	R401E,R401EX, R401EY,R401E U,R402EY,R407 EE
R641	NRS181J-561X	MG RESISTOR	560Ω 1/8W J	R504UI,R505U, R505UN,R505U T,R505UH,R506 U,R506UN,R506 UT,R506UH,R50 8UF
R643	NRS181J-511X	MG RESISTOR	510Ω 1/8W J	R401E,R401EX, R401EY,R401E U,R402EY,R407 EE
R643	NRS181J-561X	MG RESISTOR	560Ω 1/8W J	R504UI,R505U, R505UN,R505U T,R505UH,R506 U,R506UN,R506 UT,R506UH,R50 8UF
R645	NRS181J-511X	MG RESISTOR	510Ω 1/8W J	R401E,R401EX, R401EY,R401E U,R402EY,R407 EE
R645	NRS181J-561X	MG RESISTOR	560Ω 1/8W J	R504UI,R505U, R505UN,R505U T,R505UH,R506 U,R506UN,R506 UT,R506UH,R50 8UF
R648	NRS181J-391X	MG RESISTOR	390Ω 1/8W J	
R649	NRS181J-391X	MG RESISTOR	390Ω 1/8W J	
R650	NRSA02J-221X	MG RESISTOR	220Ω 1/10W J	
R651	NRSA02J-271X	MG RESISTOR	270Ω 1/10W J	
R652	NRSA63J-472X	MG RESISTOR	4.7kΩ 1/16W J	
R653	NRS181J-102X	MG RESISTOR	1kΩ 1/8W J	
R654	NRSA63J-102X	MG RESISTOR	1kΩ 1/16W J	
R655	NRSA63J-102X	MG RESISTOR	1kΩ 1/16W J	
R660	NRSA63J-394X	MG RESISTOR	390kΩ 1/16W J	
R661	NRSA63J-102X	MG RESISTOR	1kΩ 1/16W J	
R662	NRSA63J-102X	MG RESISTOR	1kΩ 1/16W J	
R663	NRSA63J-102X	MG RESISTOR	1kΩ 1/16W J	
R664	NRSA63J-224X	MG RESISTOR	220kΩ 1/16W J	
R665	NRSA63J-101X	MG RESISTOR	100Ω 1/16W J	
R666	NRSA63J-101X	MG RESISTOR	100Ω 1/16W J	
R667	NRSA63J-101X	MG RESISTOR	100Ω 1/16W J	
R670	NRSA63J-203X	MG RESISTOR	20kΩ 1/16W J	

Symbol No.	Part No.	Part Name	Description	Local
R671	NRSA63J-203X	MG RESISTOR	20kΩ 1/16W J	
R672	NRSA63J-101X	MG RESISTOR	100Ω 1/16W J	
R673	NRSA63J-101X	MG RESISTOR	100Ω 1/16W J	
R681	NRSA63J-471X	MG RESISTOR	470Ω 1/16W J	R401E,R401EX, R401EY,R401E U,R402EY,R504 UI,R505U,R505 UN,R505UT,R50 5UH,R506U,R50 6UN,R506UT,R5 06UH,R508UF
R682	NRSA63J-102X	MG RESISTOR	1kΩ 1/16W J	R401E,R401EX, R401EY,R401E U,R402EY,R504 UI,R505U,R505 UN,R505UT,R50 5UH,R506U,R50 6UN,R506UT,R5 06UH,R508UF
L601	NQR0007-002X	FERRITE BEADS		
L602	NQR0007-002X	FERRITE BEADS		
L603	NQR0007-002X	FERRITE BEADS		
L691	NQR0536-001X	CHOKE COIL		
CJ601	QGZ1101K1-24	CONNECTOR	(1-24)	
J601	QNS0279-001	AUX JACK		R401E,R401EX, R401EY,R401E U,R402EY,R407 EE
J601	QNS0280-001	3.5 JACK		R504UI,R505U, R505UN,R505U T,R505UH,R506 U,R506UN,R506 UT,R506UH,R50 8UF
J602	QNZ1006-001	USB JACK		
JS686	QSW1231-002	ROTARY ENCODER		
S601	NSW0124-001X	TACT SW		
S602	NSW0124-001X	TACT SW		
S603	NSW0124-001X	TACT SW		
S604	NSW0124-001X	TACT SW		
S605	NSW0124-001X	TACT SW		
S607	NSW0124-001X	TACT SW		
S608	NSW0124-001X	TACT SW		
S609	NSW0124-001X	TACT SW		
S610	NSW0124-001X	TACT SW		
S611	NSW0316-001X	TACT SWITCH		
S612	NSW0316-001X	TACT SWITCH		

Mecha control board

Block No. [0][5]

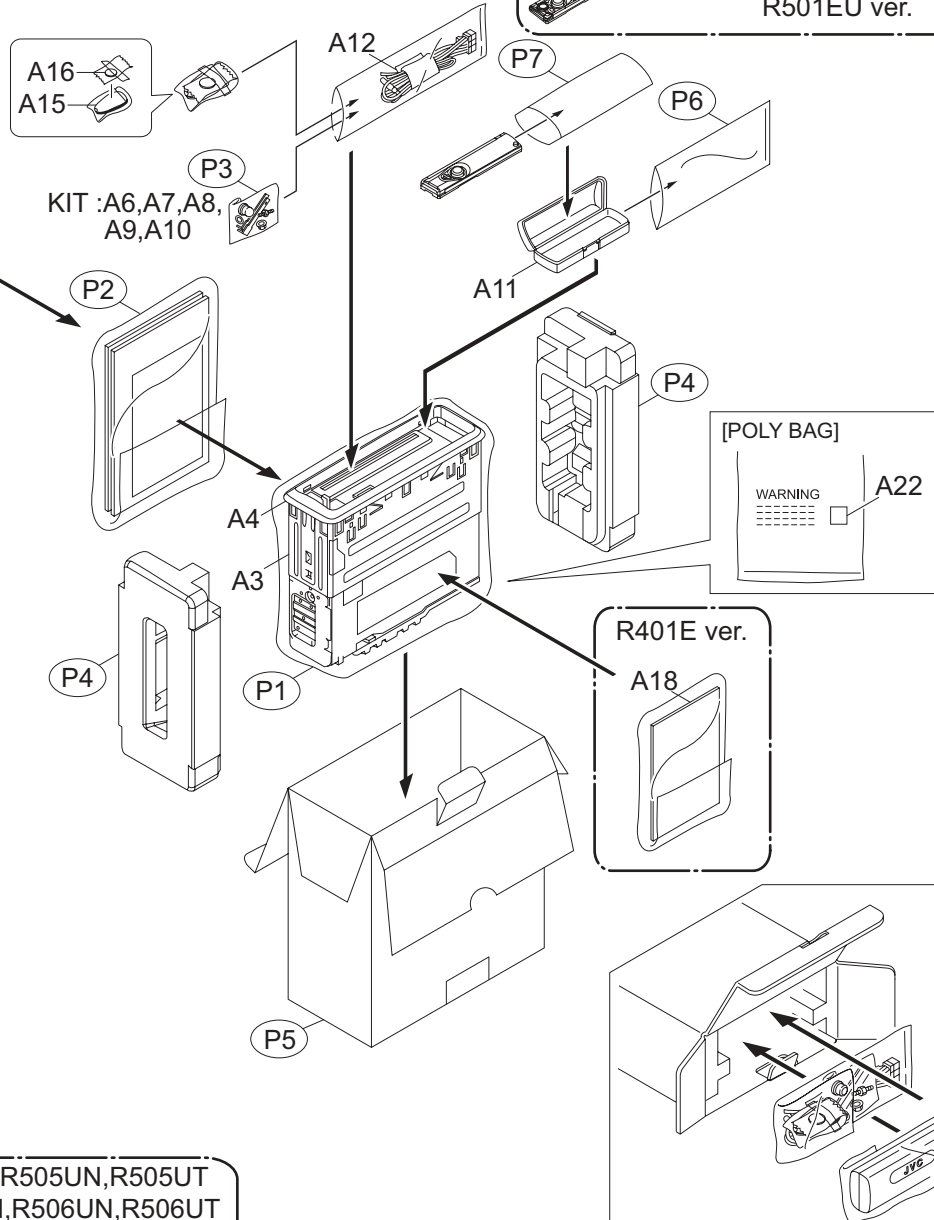
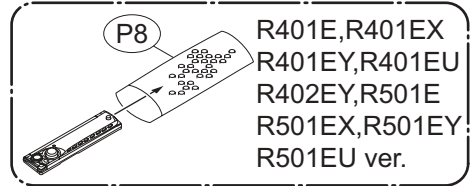
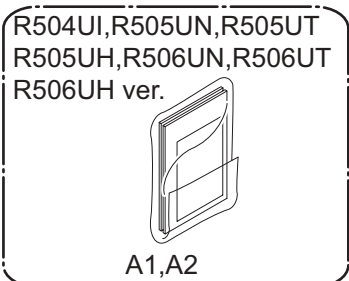
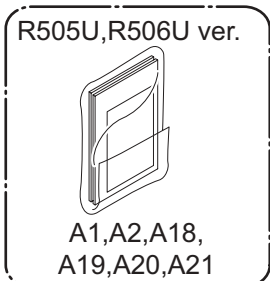
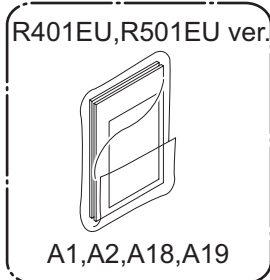
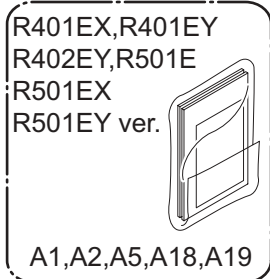
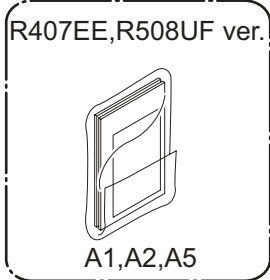
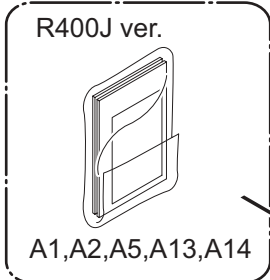
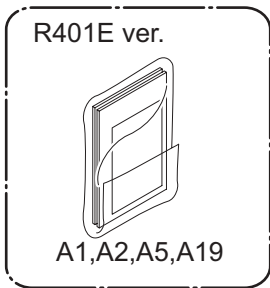
Symbol No.	Part No.	Part Name	Description	Local
△ IC301	MN6627F946JBA	IC		
IC302	BR24L16F-W-X	IC(DIGITAL)		
IC501	LA6565-X	IC		
Q101	2SC3928A/R/-X	TRANSISTOR		
Q201	2SC3928A/R/-X	TRANSISTOR		
Q211	PS1191RB22/BC/X	PHOTO TRANSISTOR		
Q212	PS1191RB22/BC/X	PHOTO TRANSISTOR		
Q301	ISA1530AC1/RS/X	TRANSISTOR		
Q302	RT1N441C-X	DIGI TRANSISTOR		
Q303	RT1N441C-X	DIGI TRANSISTOR		
Q501	2SB1424/R/-W	TRANSISTOR		
D101	AN1105W21/AB/-X	IR LED		
D201	AN1105W21/AB/-X	IR LED		
D501	1SR154-400-X	SI DIODE		
D502	1SR154-400-X	SI DIODE		
D503	1SR154-400-X	SI DIODE		
C101	NCB31CK-104X	C CAPACITOR	0.1uF 16V K	

△ Symbol No.	Part No.	Part Name	Description	Local	△ Symbol No.	Part No.	Part Name	Description	Local
C102	NCB31CK-104X	C CAPACITOR	0.1uF 16V K		R216	NRSA181F-300X	MG RESISTOR	30Ω 1/8W F	
C103	NCB31CK-104X	C CAPACITOR	0.1uF 16V K		R217	NRSA181F-300X	MG RESISTOR	30Ω 1/8W F	
C104	NCB31CK-104X	C CAPACITOR	0.1uF 16V K		R241	NRSA63J-473X	MG RESISTOR	47kΩ 1/16W J	
C301	NEAF0JM-226X	E CAPACITOR	22uF 6.3V M		R242	NRSA63J-102X	MG RESISTOR	1kΩ 1/16W J	
C302	NCB31CK-104X	C CAPACITOR	0.1uF 16V K		R301	NRSA63J-100X	MG RESISTOR	10Ω 1/16W J	
C303	NEAF0JM-476X	E CAPACITOR	47uF 6.3V M		R302	NRSA63J-473X	MG RESISTOR	47kΩ 1/16W J	
C304	NCB31CK-104X	C CAPACITOR	0.1uF 16V K		R304	NRSA63J-100X	MG RESISTOR	10Ω 1/16W J	
C305	NCB31CK-104X	C CAPACITOR	0.1uF 16V K		R307	NRSA63J-102X	MG RESISTOR	1kΩ 1/16W J	
C306	NCB31CK-104X	C CAPACITOR	0.1uF 16V K		R308	NRSA63J-104X	MG RESISTOR	100kΩ 1/16W J	
C307	NCB31CK-334X	C CAPACITOR	0.33uF 16V K		R309	NRSA63J-104X	MG RESISTOR	100kΩ 1/16W J	
C308	NCB31HK-102X	C CAPACITOR	1000pF 50V K		R310	NRSA63J-473X	MG RESISTOR	47kΩ 1/16W J	
C309	NCB31EK-823X	C CAPACITOR	0.082uF 25V K		R311	NRSA63J-101X	MG RESISTOR	100Ω 1/16W J	
C310	NCB31HK-102X	C CAPACITOR	1000pF 50V K		R312	NRSA63J-101X	MG RESISTOR	100Ω 1/16W J	
C311	NCB31CK-104X	C CAPACITOR	0.1uF 16V K		R313	NRSA63J-101X	MG RESISTOR	100Ω 1/16W J	
C312	NCB31HK-153X	C CAPACITOR	0.015uF 50V K		R314	NRSA63J-272X	MG RESISTOR	2.7kΩ 1/16W J	
C313	NCJ21CK-475X-R	C CAPACITOR	4.7uF 16V K		R315	NRSA63J-821X	MG RESISTOR	820Ω 1/16W J	
C314	NCB31HK-332X	C CAPACITOR	3300pF 50V K		R316	NRSA63J-823X	MG RESISTOR	82kΩ 1/16W J	
C315	NEAF0JM-476X	E CAPACITOR	47uF 6.3V M		R317	NRSA63J-473X	MG RESISTOR	47kΩ 1/16W J	
C316	NEAF0JM-476X	E CAPACITOR	47uF 6.3V M		R318	NRSA63J-473X	MG RESISTOR	47kΩ 1/16W J	
C317	NCB31HK-223X	C CAPACITOR	0.022uF 50V K		R319	NRSA63J-0R0X	MG RESISTOR	0Ω 1/16W J	
C319	NCB31CK-334X	C CAPACITOR	0.33uF 16V K		R320	NRSA63J-0R0X	MG RESISTOR	0Ω 1/16W J	
C321	NCB31HK-272X	C CAPACITOR	2700pF 50V K		R321	NRSA63J-0R0X	MG RESISTOR	0Ω 1/16W J	
C322	NCB31CK-154X	C CAPACITOR	0.15uF 16V K		R322	NRSA63J-822X	MG RESISTOR	8.2kΩ 1/16W J	
C323	NEAF0JM-476X	E CAPACITOR	47uF 6.3V M		R323	NRSA63J-822X	MG RESISTOR	8.2kΩ 1/16W J	
C324	NCB31CK-104X	C CAPACITOR	0.1uF 16V K		R324	NRSA63J-473X	MG RESISTOR	47kΩ 1/16W J	
C325	NCJ20JK-106X-R	C CAPACITOR	10uF 6.3V K		R325	NRSA02F-100X	MG RESISTOR	10Ω 1/10W F	
C326	NCJ20JK-106X-R	C CAPACITOR	10uF 6.3V K		R326	NRSA02F-100X	MG RESISTOR	10Ω 1/10W F	
C327	NCB31CK-104X	C CAPACITOR	0.1uF 16V K		R327	NRSA63J-101X	MG RESISTOR	100Ω 1/16W J	
C328	NCB31HK-681X	C CAPACITOR	680pF 50V K		R328	NRSA63J-101X	MG RESISTOR	100Ω 1/16W J	
C329	NCB31CK-104X	C CAPACITOR	0.1uF 16V K		R329	NRSA63J-101X	MG RESISTOR	100Ω 1/16W J	
C330	NCJ20JK-106X-R	C CAPACITOR	10uF 6.3V K		R330	NRSA63J-473X	MG RESISTOR	47kΩ 1/16W J	
C331	NCJ20JK-106X-R	C CAPACITOR	10uF 6.3V K		R331	NRSA63J-151X	MG RESISTOR	150Ω 1/16W J	
C332	NCJ20JK-106X-R	C CAPACITOR	10uF 6.3V K		R332	NRSA63J-105X	MG RESISTOR	1MΩ 1/16W J	
C334	NCB31CK-104X	C CAPACITOR	0.1uF 16V K		R333	NRSA63J-221X	MG RESISTOR	220Ω 1/16W J	
C335	NCB31CK-104X	C CAPACITOR	0.1uF 16V K		R335	NRSA63J-473X	MG RESISTOR	47kΩ 1/16W J	
C336	NCB31CK-104X	C CAPACITOR	0.1uF 16V K		R336	NRSA63J-330X	MG RESISTOR	33Ω 1/16W J	
C337	NCB31CK-104X	C CAPACITOR	0.1uF 16V K		R337	NRSA63J-473X	MG RESISTOR	47kΩ 1/16W J	
C338	NCB31CK-104X	C CAPACITOR	0.1uF 16V K		R342	NRSA63J-0R0X	MG RESISTOR	0Ω 1/16W J	
C339	NCB31CK-104X	C CAPACITOR	0.1uF 16V K		R343	NRSA63J-472X	MG RESISTOR	4.7kΩ 1/16W J	
C340	NCB31CK-104X	C CAPACITOR	0.1uF 16V K		R345	NRSA63J-472X	MG RESISTOR	4.7kΩ 1/16W J	
C341	NDC31HJ-270X	C CAPACITOR	27pF 50V J		R349	NRSA63J-0R0X	MG RESISTOR	0Ω 1/16W J	
C342	NDC31HJ-270X	C CAPACITOR	27pF 50V J		R361	NRSA63J-103X	MG RESISTOR	10kΩ 1/16W J	
C343	NCB31CK-104X	C CAPACITOR	0.1uF 16V K		R362	NRSA63J-221X	MG RESISTOR	220Ω 1/16W J	
C344	NCJ20JK-106X-R	C CAPACITOR	10uF 6.3V K		R371	NRSA63J-0R0X	MG RESISTOR	0Ω 1/16W J	
C345	NCB31CK-104X	C CAPACITOR	0.1uF 16V K		R501	NRS125J-100X	MG RESISTOR	10Ω 1/2W J	
C346	NCB31CK-104X	C CAPACITOR	0.1uF 16V K		R503	NRSA63J-822X	MG RESISTOR	8.2kΩ 1/16W J	
C347	NCB31CK-104X	C CAPACITOR	0.1uF 16V K		R504	NRSA63J-512X	MG RESISTOR	5.1kΩ 1/16W J	
C351	NDC31HJ-270X	C CAPACITOR	27pF 50V J		R505	NRSA63J-333X	MG RESISTOR	33kΩ 1/16W J	
C352	NDC31HJ-270X	C CAPACITOR	27pF 50V J		R506	NRSA63J-683X	MG RESISTOR	68kΩ 1/16W J	
C373	NCB31CK-104X	C CAPACITOR	0.1uF 16V K		R507	NRSA63J-682X	MG RESISTOR	6.8kΩ 1/16W J	
C392	NCB31CK-104X	C CAPACITOR	0.1uF 16V K		R508	NRSA63J-153X	MG RESISTOR	15kΩ 1/16W J	
C393	NCB31CK-104X	C CAPACITOR	0.1uF 16V K		R509	NRSA63J-183X	MG RESISTOR	18kΩ 1/16W J	
C394	NCB31CK-104X	C CAPACITOR	0.1uF 16V K		R510	NRSA63J-683X	MG RESISTOR	68kΩ 1/16W J	
C395	NCB31CK-104X	C CAPACITOR	0.1uF 16V K		R511	NRSA63J-103X	MG RESISTOR	10kΩ 1/16W J	
C501	NEHN1EM-476X	E CAPACITOR	47uF 25V M		R512	NRSA63J-153X	MG RESISTOR	15kΩ 1/16W J	
C502	NCB31CK-104X	C CAPACITOR	0.1uF 16V K		R513	NRSA63J-822X	MG RESISTOR	8.2kΩ 1/16W J	
C503	NDC31HJ-680X	C CAPACITOR	68pF 50V J		R514	NRSA63J-133X	MG RESISTOR	13kΩ 1/16W J	
C511	NCB31HK-682X	C CAPACITOR	6800pF 50V K		R515	NRSA63J-562X	MG RESISTOR	5.6kΩ 1/16W J	
C512	NCB31HK-222X	C CAPACITOR	2200pF 50V K		R516	NRSA63J-562X	MG RESISTOR	5.6kΩ 1/16W J	
C513	NCB31HK-272X	C CAPACITOR	2700pF 50V K		R519	NRSA63J-822X	MG RESISTOR	8.2kΩ 1/16W J	
C514	NCB31HK-122X	C CAPACITOR	1200pF 50V K		R520	NRSA63J-822X	MG RESISTOR	8.2kΩ 1/16W J	
C531	NEHL0JM-107X	E CAPACITOR	100uF 6.3V M		R521	NRSA63J-822X	MG RESISTOR	8.2kΩ 1/16W J	
C532	NCB31CK-104X	C CAPACITOR	0.1uF 16V K		R522	NRSA63J-822X	MG RESISTOR	8.2kΩ 1/16W J	
C551	NEHN1AM-107X	E CAPACITOR	100uF 10V M		R523	NRSA63J-822X	MG RESISTOR	8.2kΩ 1/16W J	
					R524	NRSA63J-822X	MG RESISTOR	8.2kΩ 1/16W J	
					R525	NRSA63J-473X	MG RESISTOR	47kΩ 1/16W J	
R101	NRSA63J-391X	MG RESISTOR	390Ω 1/16W J		CN101	QGB2027L5-28X	CONNECTOR	B-B (1-28)	
R102	NRSA63J-822X	MG RESISTOR	8.2kΩ 1/16W J		CN102	QGF0522F3-15W	CONNECTOR	FFC/FPC (1-15)	
R103	NRSA63J-184X	MG RESISTOR	180kΩ 1/16W J		K101	NRSA63J-0R0X	MG RESISTOR	0Ω 1/16W J	
R104	NRSA63J-184X	MG RESISTOR	180kΩ 1/16W J		K102	NRSA63J-0R0X	MG RESISTOR	0Ω 1/16W J	
R105	NRSA63J-183X	MG RESISTOR	18kΩ 1/16W J		K103	NRSA63J-0R0X	MG RESISTOR	0Ω 1/16W J	
R201	NRSA63J-391X	MG RESISTOR	390Ω 1/16W J		SW1	NSW0291-001X	DETECT SWITCH		
R203	NRSA63J-184X	MG RESISTOR	180kΩ 1/16W J		X301	NAX0375-001X	CRYSTAL	16.9344MHz	
R204	NRSA63J-184X	MG RESISTOR	180kΩ 1/16W J		X302	NAX0367-001X	CRYSTAL		
R205	NRSA63J-153X	MG RESISTOR	15kΩ 1/16W J						
R206	NRSA63J-473X	MG RESISTOR	47kΩ 1/16W J						
R207	NRSA63J-473X	MG RESISTOR	47kΩ 1/16W J						
R214	NRSA63D-153X	MG RESISTOR	15kΩ 1/16W D						
R215	NRSA63D-153X	MG RESISTOR	15kΩ 1/16W D						

Packing materials and accessories parts list

Block No. **M 3 M M**

No additional / supplemental order of WARRANTY CARDS are available.



The parts without symbol number are not service.

Packing and Accessories

Block No. [M][3][M][M]

△ Symbol No.	Part No.	Part Name	Description	Local
A 1	GET0576-001A	INST BOOK	ENG FRE SPA	R400J
A 1	GET0574-001A	INST BOOK	GER FRE ITA	R401E,R501E
A 1	GET0574-003A	INST BOOK	ENG FRE	R401EX,R401EU,R501EX,R501EU
A 1	GET0574-006A	INST BOOK	ENG GER RUS GRE	R401EY,R402EY,R501EY
A 1	GET0575-001A	INST BOOK	ENG RUS UKR	R407EE
A 1	GET0585-001A	INST BOOK	ENG	R504UI
A 1	GET0584-001A	INST BOOK	ENG THA	R505U,R505UH,R506U,R506UH
A 1	GET0584-004A	INST BOOK	ENG INA	R505UN,R506UN
A 1	GET0584-005A	INST BOOK	ENG CHI	R505UT,R506UT
A 1	GET0593-001A	INST BOOK	CHI	R508UF
A 2	GET0576-002A	INSTALL MANUAL	ENG FRE SPA	R400J
A 2	GET0574-008A	INSTALL MANUAL	GER FRE ITA	R401E,R501E
A 2	GET0574-010A	INSTALL MANUAL	ENG FRE	R401EX,R401EU,R501EX,R501EU
A 2	GET0574-013A	INSTALL MANUAL	ENG GER RUS GRE	R401EY,R402EY,R501EY
A 2	GET0575-002A	INSTALL MANUAL	ENG RUS UKR	R407EE
A 2	GET0585-002A	INSTALL MANUAL	ENG	R504UI
A 2	GET0584-006A	INSTALL MANUAL	ENG THA	R505U,R505UH,R506U,R506UH
A 2	GET0584-009A	INSTALL MANUAL	ENG INA	R505UN,R506UN
A 2	GET0584-010A	INSTALL MANUAL	ENG CHI	R505UT,R506UT
A 2	GET0593-002A	INSTALL MANUAL	CHI	R508UF
A 3	GE20137-003A	MOUNTING SLEEVE		
A 4	GE20235-001A	TRIM PLATE		R400J,R506U,R506UN,R506UT,R506UH,R508UF
A 4	GE20204-008A	TRIM PLATE		R401E,R401EX,R401EY,R401EU,R407EE,R501E,R501EX,R501EY,R501EU
A 4	GE20204-015A	TRIM PLATE		R402EY
A 4	GE20235-005A	TRIM PLATE		R504UI,R505U,R505UN,R505UT,R505UH
A 5	-----	WARRANTY CARD	BT-52008-1	R400J
A 5	-----	WARRANTY CARD	BT-54036-1	R401E,R401EX,R401EY,R402EY,R407EE,R501E,R501EX,R501EY
A 5	-----	WARRANTY CARD	BT-59033-1	R508UF
A 6	VKZ4027-202	PLUG NUT		
A 7	GE40426-002A	MOUNT BOLT		
A 8	VKZ4328-003	LOCK NUT		
A 9	QYWW53A008ZA	WASHER	0mm/5.3mm x	
A 10	GE40130-002A	HOOK	(x2)	
A 11	GE32320-001A	HARD CASE ASSY		R400J,R407EE,R504UI,R505U,R505UN,R505UT,R505UH,R506U,R506UN,R506UT,R506UH,R508UF
A 12	QAM1142-001	POWER CORD		R400J
A 12	QAM1153-001	POWER CORD		R401E,R401EX,R401EY,R401EU,R402EY,R407EE,R501E,R501EX,R501EY,R501EU
A 12	QAM1145-001	POWER CORD		R504UI,R505U,R505UN,R505UT,R505UH,R506U,R506UN,R506UT,R506UH,R508UF
A 13	-----	WARRANTY CARD	BT-51018-5	R400J
A 14	BT-51044-1	REGIS CARD		R400J
A 15	RM-RK50C	REMOCON UNIT		R400J,R504UI,R505U,R505UN,R505UH,R506U,R506UN,R506UT,R506UH,R508UF
A 16	-----	LITHIUM BATTERY		R400J,R504UI,R505U,R505UN,R505UH,R506U,R506UN,R506UT,R506UH,R508UF
A 18	GET0574-002A	INST BOOK	SPA POR	R401E,R501E
A 18	GET0574-004A	INST BOOK	DUT DAN FIN SWE	R401EX,R501EX
A 18	GET0574-007A	INST BOOK	HUN CZE POL	R401EY,R402EY,R501EY
A 18	GET0574-005A	INST BOOK	RUS SPA PER TUR	R401EU,R501EU
A 18	GET0584-002A	INST BOOK	ARA KOR CHI PER	R505U,R506U
A 19	GET0574-009A	INSTALL MANUAL	SPA POR	R401E,R501E
A 19	GET0574-011A	INSTALL MANUAL	DUT DAN FIN SWE	R401EX,R501EX
A 19	GET0574-014A	INSTALL MANUAL	HUN CZE POL	R401EY,R402EY,R501EY
A 19	GET0574-012A	INSTALL MANUAL	RUS SPA PER TUR	R401EU,R501EU
A 19	GET0584-007A	INSTALL MANUAL	ARA KOR CHI PER	R505U,R506U
A 20	GET0584-003A	INST BOOK	RUS	R505U,R506U
A 21	GET0584-008A	INSTALL MANUAL	RUS	R505U,R506U
A 22	LV44928-301A	RECYCLE MARK		R508UF
KIT	SRW-MA372	SCREW PARTS KIT	A6 A7 A8 A9 A10	
P 1	QPC03004315PB	POLY BAG	30cm x 43cm	
P 2	FSPG4002-001	POLY BAG		R400J,R401EX,R401EY,R401EU,R402EY,R407EE,R501EX,R501EY,R501EU,R504UI,R505UN,R505UT,R505UH,R506UN,R506UT,R506UH,R508UF
P 2	FSPG4002-001	POLY BAG	(x2)	R401E,R501E,R505U,R506U
P 3	QPA00801205	POLY BAG	8cm x 12cm	
P 4	GE10247-001A	CUSHION		R400J,R504UI,R505U,R505UN,R505UT,R505UH,R506U,R506UN,R506UT,R506UH,R508UF
P 4	GE10249-001A	CUSHION		R401E,R401EX,R401EY,R401EU,R402EY,R407EE,R501E,R501EX,R501EY,R501EU
P 5	GE33448-001A	INNER CARTON		R400J
P 5	GE33442-001A	INNER CARTON		R401E,R401EX,R401EY,R401EU
P 5	GE33712-001A	INNER CARTON		R402EY
P 5	GE33445-001A	INNER CARTON		R407EE
P 5	GE33589-001A	INNER CARTON		R501E,R501EX,R501EY,R501EU
P 5	GE33508-001A	INNER CARTON		R504UI
P 5	GE33469-001A	INNER CARTON		R505U,R505UN,R505UT,R505UH
P 5	GE33505-001A	INNER CARTON		R506U,R506UN,R506UT,R506UH
P 5	GE33586-001A	INNER CARTON		R508UF
P 6	QPA01003003	POLY BAG	10cm x 30cm	R400J,R407EE,R504UI,R505U,R505UN,R505UT,R505UH,R506U,R506UN,R506UT,R506UH,R508UF
P 7	QPC01002515	POLY BAG	10cm x 25cm	R400J,R407EE,R504UI,R505U,R505UN,R505UT,R505UH,R506U,R506UN,R506UT,R506UH,R508UF
P 8	GE40276-003A	AIR BUBBLE BAG		R401E,R401EX,R401EY,R401EU,R402EY,R501E,R501EX,R501EY,R501EU